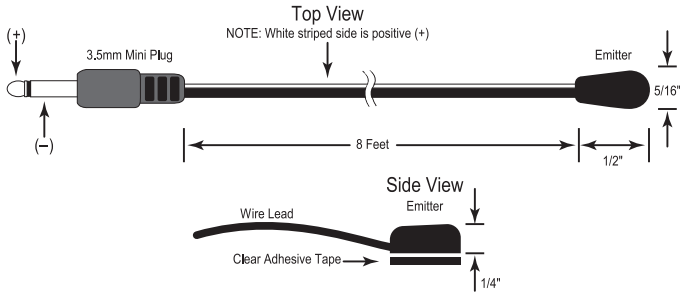


IRE1—Single IR Emitter with Visible LED Instruction Manual

The IRE1 is an infrared emitter featuring clear adhesive tape, permitting instant removal of the emitter when rearranging or servicing components. Callbacks for reattachment of “fallen emitters” are reduced due to the improved adhesive used to hold the emitter in place. The emitter case may also be taken apart so the tiny internal emitter can be placed inside a component when desired. High infrared output from the top curved surface allows emitter to be mounted on a nearby surface, rather than directly on the sensor of the unit if needed.

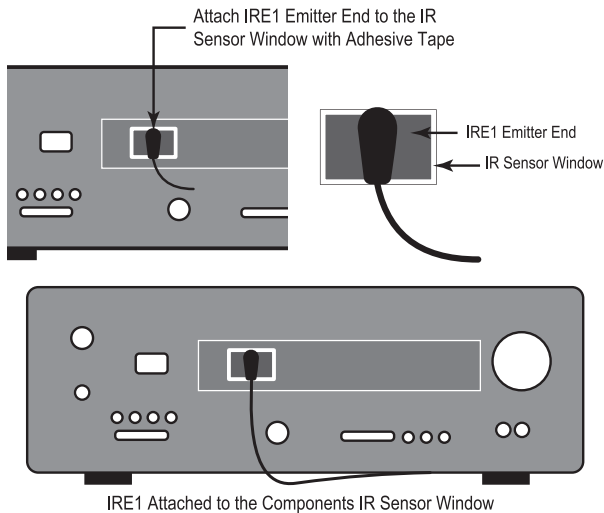
IRE Single Emitter with Visible LED



Attaching the Emitter

1. Locate the component's infrared sensor window on your component.
2. Clean the area thoroughly of any dust or debris.
3. Peel the protective layer off of the bottom, exposing the adhesive on the bottom surface of the emitter.
4. Orient the emitter vertical (refer to illustration below) and press it over the center of the component's sensor window. Press and hold for a few seconds to ensure maximum contact of the adhesive.

NOTE: If you need to remove the emitter previously stuck to a component's surface, always use a fresh adhesive before reattaching.



5. Insert the 3.5mm plug into an emitter jack on the IRB1 Connecting Block, see the typical installation diagram on other side.

NOTE: If you have difficulty finding the component's infrared sensor, try using a flashlight. Sometimes the component's owner manual is helpful or you may need to contact the manufacturer directly.

Other Emitter Placements

Since the IRE1 has high output from its curved top, you may attach it to other surfaces nearby, if the installation permits.

Some installers prefer the option of placing the emitter completely inside a component, as near as possible to the IR sensor, for a clean external appearance. It may be necessary to remove the internal emitter from its shell so that it will fit in tiny chassis places. In this case, use the thin edge of a knife to carefully pry the lower cover from the shell of the emitter. Gently ease the tiny emitter and lead from its nest within the shell. Use heat shrink tubing, or other insulating means, to prevent shorting of the exposed leads.

NOTE: This may void the warranty of the controlled equipment. Do so at your own risk. Destination Audio is not responsible for any damage to equipment or warranty thereof.

Other Destination Audio IR Products:

- (IRK1) IR Kit with four (IRE1) IR Single Emitters, one (IRPS1) IR Power Supply 200mA, one (IRB1) 1 Zone Block, and one (IRRP) IR Plasma Receiver
- (IRB1) IR (1 Zone) Connecting Block
- (IRE2) IR Emitter (Dual)
- (IRRP) IR Plasma Receiver
- (IRRW) IR Wall Mount Receiver
- (IRPS1) Power Supply 12V DC, 200mA
- (IRRS) Flush Mount Receiver
- (VC100RI) IR Impedance Matching Rotary-type Volume Control
- (VC100SI) IR Impedance Matching Slider-type Volume Control

Limited Warranty:

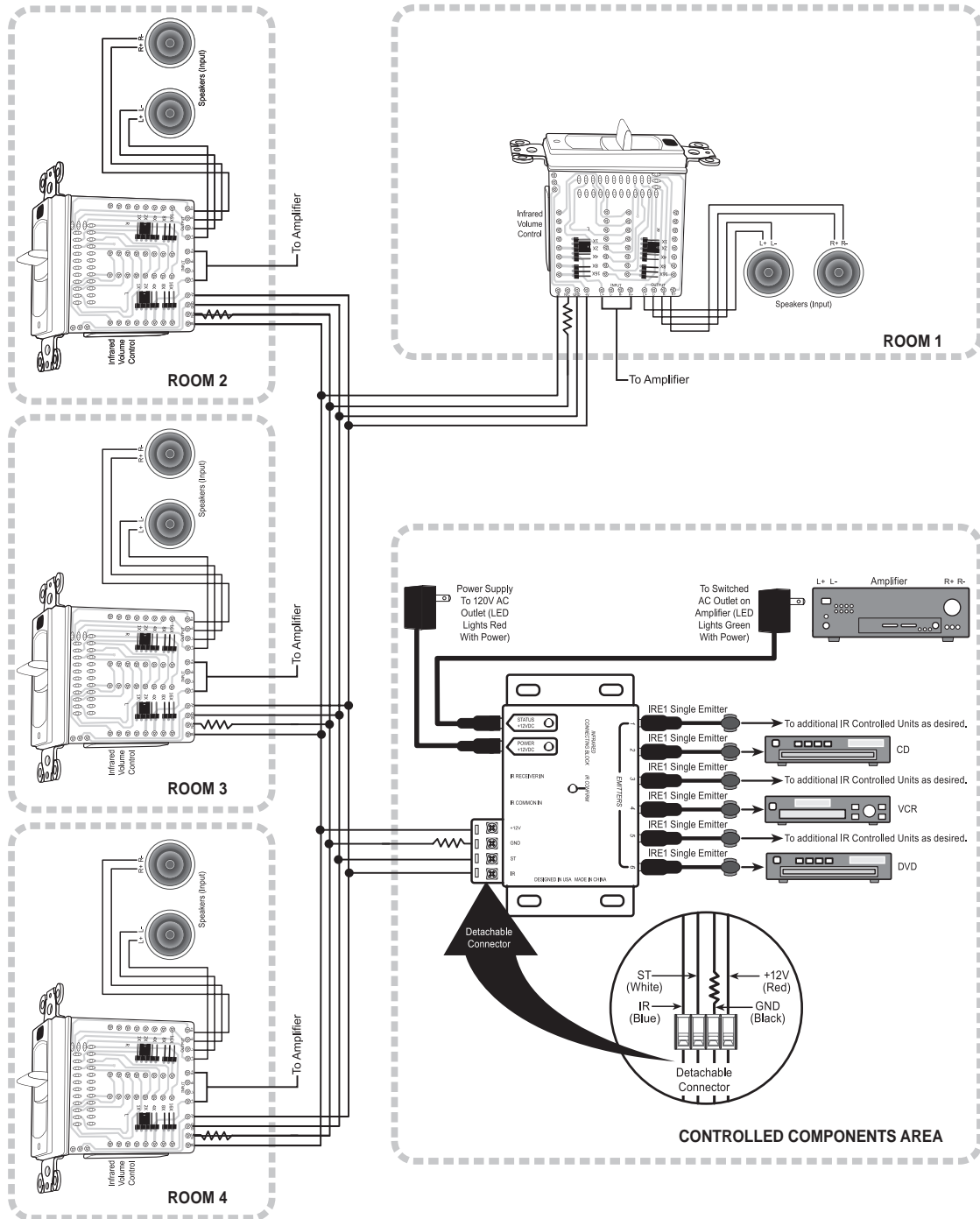
Your Destination Audio IRE1 Single Emitter and other IR products are covered by a limited warranty against defects in materials and workmanship for a period of 1 year from the original date of purchase. This warranty is provided by the authorized Destination Audio dealer where the product was purchased. Warranty repair will be performed only when your purchase receipt is presented as proof of ownership and date of purchase. Defective parts will be repaired or replaced without charge by your dealer's store or the location designated by your dealer authorized to service Destination Audio products. Charges for unauthorized service and transportation cost are not reimbursable under this warranty. This warranty becomes void if the product has been damaged by alteration, misuse or neglect. Destination Audio assumes no liability for property damage or any other incidental or consequential damage whatsoever which may result from the failure of this product. Any and all warranties of merchantability and fitness implied by law are limited to the duration of this express warranty. Some states do not allow limitations on how long an implied warranty lasts, so the above limitations may not apply to you. Some states do not allow the exclusion or limitation of incidental or consequential damages, so the above limitation or exclusion may not apply to you.



382 Marshall Way, Layton, Utah • USA • 84041 • Toll Free: (800) 543-2205 • Fax: (801) 543-3300 • www.destinationaudio.com

It is Destination Audio policy to continuously incorporate improvements into products; all specifications are subject to change without notice. Copyright © 2009 Destination Audio. All Rights Reserved.

IRE1—Single IR Emitter with Visible LED Instruction Manual



The above example is a multi-room system using one IRB1 Connecting Block for infrared control of a common whole-house audio system. This type of connection permits IR receivers (or keypads if used), located in each room, to control the various components used in the system



382 Marshall Way, Layton, Utah • USA • 84041 • Toll Free: (800) 543-2205 • Fax: (801) 543-3300 • www.destinationaudio.com

It is Destination Audio policy to continuously incorporate improvements into products; all specifications are subject to change without notice. Copyright © 2009 Destination Audio. All Rights Reserved.