

A-5AW

OUTDOOR SPEAKER



Listen to your favorite music on your patio, deck, lanai or anywhere regular speakers just won't do. The A-5AW combines high performance audio quality with the weather resistance outdoor speakers need. Available in both black and white finishes, the A-5AW 5¼-inch PolyGraphite woofer and 1-inch mylar tweeter stylishly belt out the tunes from a discrete position. The A-5AW can be easily tucked under eaves or in the corner to provide big sound from its small footprint. If you're seeking great outdoor performance from a stylish small speaker, the A-5AW is the best solution.

R B HASSING
TM

rbh
TM

REDEFINING THE WAY YOU EXPERIENCE SOUND.™

382 Marshall Way, Layton, Utah • USA • 84041 • Toll Free: (800) 543-2205 • Fax: (801) 543-3300 • www.rbhsound.com
It is RBH Sound policy to continuously incorporate improvements into products; all specifications are subject to change without notice. Copyright © 2009 RBH Sound. All Rights Reserved.

SPECIFICATIONS

MODEL NAME

A-5AW

SYSTEM TYPE

2-way Acoustic Suspension Speaker

SERIES

A Series

FREQUENCY RESPONSE

59Hz — 20kHz ± 3dB

SENSITIVITY

88dB (2.83 Volts @ 1 Meter)

RECOMMENDED POWER

10-100 Watts

DRIVE UNITS

(1) 5-1/4" (133mm) PolyGraphite Woofer

(1) 1" (25mm) Mylar Dome Tweeter

TWEETER PROTECTION

Yes

CROSSOVER FREQUENCY

3,000 Hz

CROSSOVER

12dB/Octave

IMPEDANCE

8 Ohms

CABINET

Black or White Cast Poly-Resin

GRILLE

Black or White Aluminum Micro-perf

DIMENSIONS

7-1/2" W x 11" H x 7-1/4" D

(190mm W x 279mm H x 184mm D)

WEIGHT

5.9 lbs. (2.68 kg)

WARRANTY

5 Years*

*Warranted for 5 (five) years from date of purchase to be free from defects and workmanship. For more information see your RBH dealer.



R B HASSING

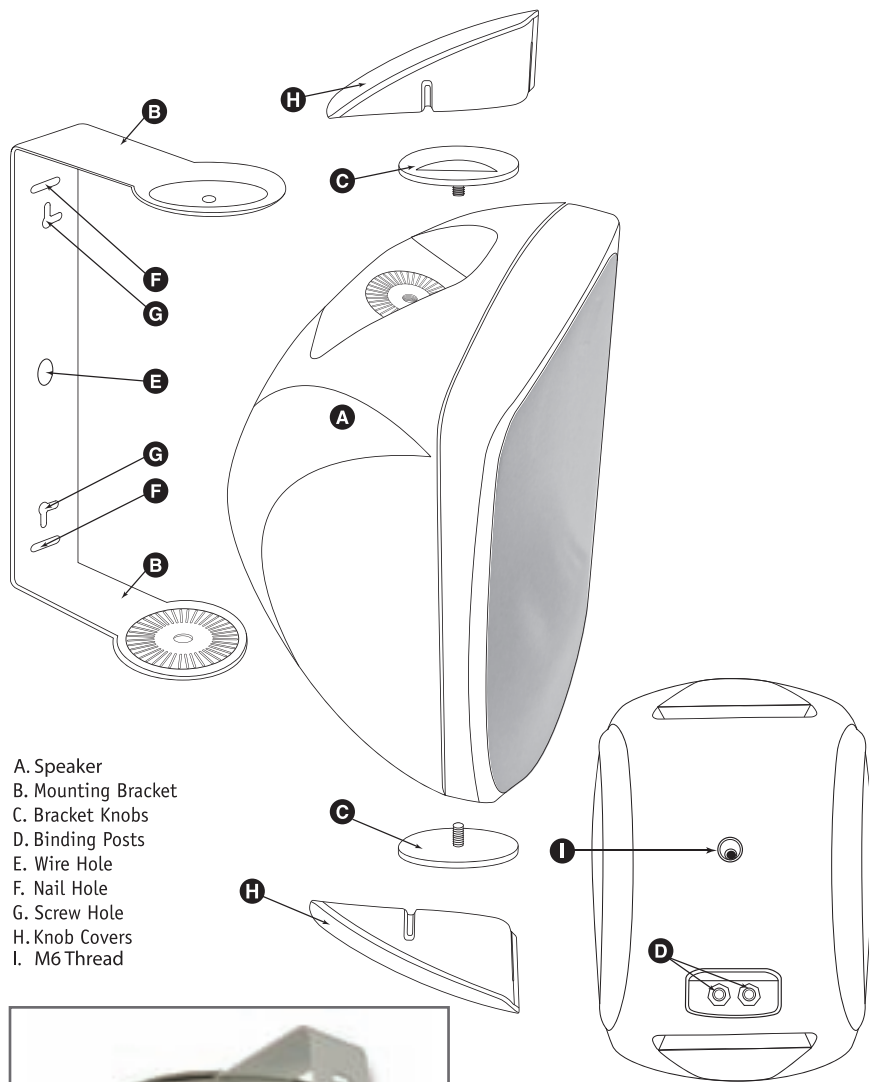
™

High Performance Home Audio
Redefining the Way You Experience Sound™

A-5AW

OUTDOOR SPEAKER

ASSEMBLY



Specifications are subject to change. For the most current information visit us online at www.rbhsound.com.