

# ARCHITECTURAL SERIES

## IN-CEILING AND IN-WALL SPEAKERS



# A-610

## IN-WALL SPEAKER

The A-610 in-wall speaker represents the most versatile choice for practically any application, from an in-wall home theater to a high quality listening room. The excellent sound quality derived from the precise integration of the 6½-inch graphite woofer and 1-inch silk dome tweeter provides delightful listening in any room. The A-610 also features a tweeter sound contour switch which allows the tweeter output level to be customized for any room.

**SOLD THROUGH AUTHORIZED RBH DEALERS**

**REDEFINING THE WAY YOU EXPERIENCE SOUND™**



# SPECIFICATIONS

**MODEL NAME:**

A-610

**SYSTEM TYPE:**

In-wall 2-way Speaker

**SERIES:**

Architectural Series

**FREQUENCY RESPONSE:**

55Hz-20kHz  $\pm$  3dB

**SENSITIVITY:**

90dB (2.83 Volts @ 1 Meter)

**RECOMMENDED POWER:**

10-80 Watts

**DRIVE UNITS:**

6 $\frac{1}{2}$ " (165mm) Polygraphite Cone Woofer  
1" (25mm) Swivel Silk Dome Tweeter

**TWEETER PROTECTION:**

Yes

**CROSSOVER FREQUENCY:**

2,800 Hz

**CROSSOVER:**

12dB/Octave

**IMPEDANCE:**

8 Ohms

**CABINET:**

White Frame (paintable)

**GRILLE:**

White (paintable)

**CUTOUT DIMENSIONS:**

7-1/4" W x 11" H  
(184mm W x 279mm H)

**FINISHED DIMENSIONS:**

8-1/2" W x 12" H x 3" D  
(216mm W x 305mm H x 76mm D)

**WEIGHT:**

3.30 lbs. (1.50 kg)

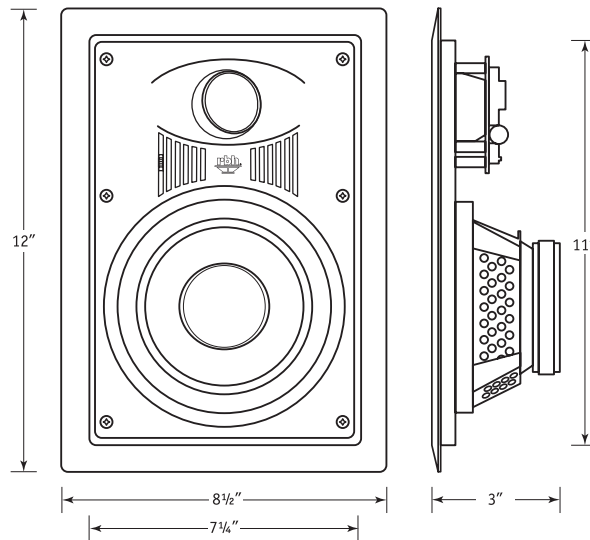
**WARRANTY:**

25 Years\*



**High Performance Home Audio**  
Redefining the Way You Experience Sound™

# DIMENSIONS



# MATCHING SERIES

**IN-CEILING SPEAKERS:**

A-815, A-815L, A-615L, A-600,  
A-605/70, A-607

**IN-WALL SPEAKERS:**

A-609, A-414

**OUTDOOR SPEAKERS:**

A0-520, A0-620, R8

# ACCESSORIES

The below accessories are sold separately.

**Rear Enclosure:** FB-W

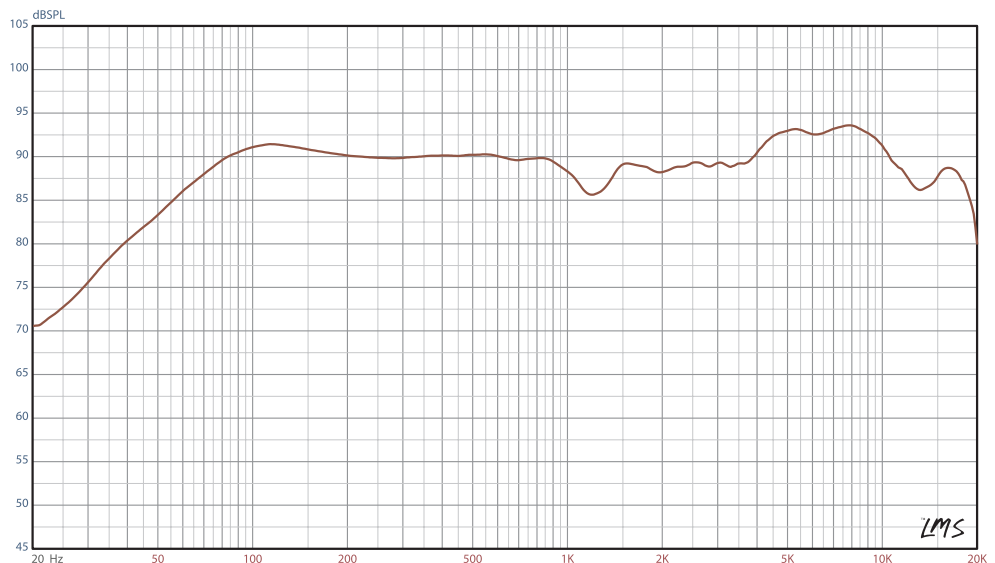
**Blank Plate:** BP-6

**Construction Bracket:** NCB-6

# FEATURES

- Swing out dog leg mounting system with pre-started screws for fast and easy installation.
- Polyswitch protection circuitry designed to protect the tweeter from being over driven.
- Steep acoustic slope crossovers are used to integrate the drivers.
- Paintable grilles, if you desire to completely conceal your in-ceiling speakers.
- Installation template.

# FREQUENCY RESPONSE GRAPH



382 Marshall Way, Ste. A,  
Layton, Utah, USA 84041

(800) 543-2205  
(801) 543-2200

Fax: (801) 543-3300  
<http://rbhsound.com>

\*Warranted for 25 (twenty-five) years from date of purchase to be free from defects and workmanship. For more information see your RBH dealer.

It is RBH Sound policy to continuously incorporate improvements into products; all specifications are subject to change without notice. For the most current information visit us online at <http://rbhsound.com>. Copyright © 2017 RBH Sound. All Rights Reserved.