

# ARCHITECTURAL SERIES

IN-CEILING AND IN-WALL SPEAKERS



## A-607

### IN-CEILING SPEAKER

The A-607 in-ceiling speaker represents the perfect blend of performance and cost. Featuring a PolyGraphite 6½-inch woofer and a pivoting 1-inch silk dome tweeter, the A-607 is the perfect complement to budget-conscious multi-room and whole-house audio systems where the high quality sound of RBH is needed.

SOLD THROUGH AUTHORIZED RBH DEALERS

REDEFINING THE WAY YOU EXPERIENCE SOUND™



## SPECIFICATIONS

### MODEL NAME:

A-607

### SYSTEM TYPE:

In-ceiling 2-way Speaker

### SERIES:

Architectural Series

### FREQUENCY RESPONSE:

56Hz-20kHz  $\pm$  3dB

### SENSITIVITY:

88dB (2.83 Volts @ 1 Meter)

### RECOMMENDED POWER:

10-70 Watts

### DRIVE UNITS:

6 $\frac{1}{2}$ " (165mm) PolyGraphite Cone Woofer  
1" (25mm) Swivel Silk Dome Tweeter

### TWEETER PROTECTION:

No

### CROSSOVER FREQUENCY:

3,000 Hz

### CROSSOVER:

6dB/Octave

### IMPEDANCE:

8 Ohms

### CABINET:

White Frame (paintable)

### GRILLE:

White (paintable)

### CUTOUT DIMENSIONS:

7-3/4" (197mm) Dia.

### FINISHED DIMENSIONS:

9-1/8" Dia. x 3-7/8" D  
(232mm Dia. x 98mm D)

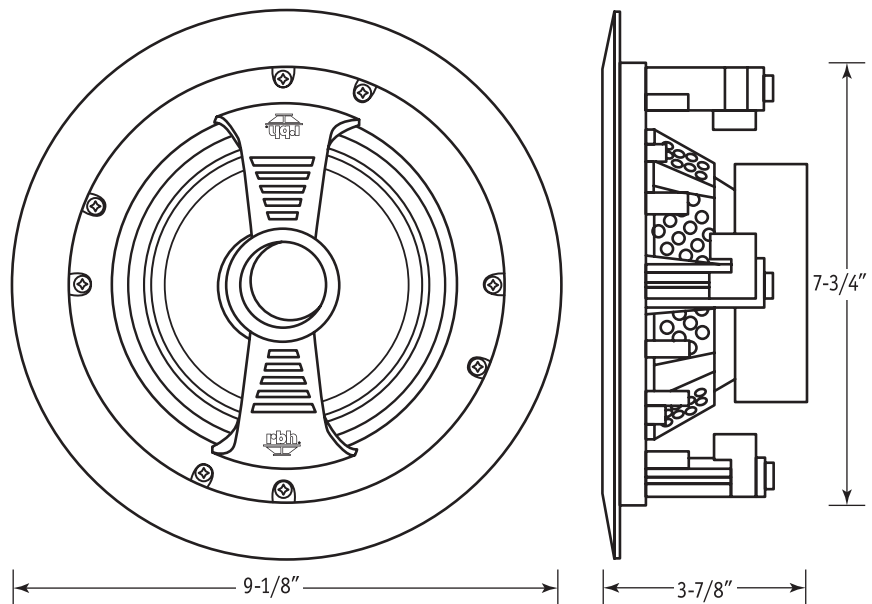
### WEIGHT:

2.45 lbs. (1.11 kg)

### WARRANTY:

25 Years\*

## DIMENSIONS



## ACCESSORIES

The below accessories are sold separately.

**Rear Enclosure:** FB-C6

**Back Can:** BC-6R

**Blank Plate:** BP-8R

**Construction Bracket:** NCB-6R

## FEATURES

- Swing out dog leg mounting system with pre-started screws for fast and easy installation.
- Polyswitch protection circuitry designed to protect the tweeter from being over driven.
- Steep acoustic slope crossovers are used to integrate the drivers.
- Paintable grilles, if you desire to completely conceal your in-ceiling speakers.
- Installation template.

## MATCHING SERIES

**IN-CEILING SPEAKERS:** A-815, A-815L, A-600, A-615L, A-605/70

**IN-WALL SPEAKERS:** A-609, A-610, A-414

**OUTDOOR SPEAKERS:** A0-520, A0-620, R8



**High Performance Home Audio**  
Redefining the Way You Experience Sound™

382 Marshall Way, Ste. A,  
Layton, Utah, USA 84041

(800) 543-2205  
(801) 543-2200

Fax: (801) 543-3300  
<http://rbhsound.com>

\*Warranted for 25 (twenty-five) years from date of purchase to be free from defects and workmanship. For more information see your RBH dealer.

It is RBH Sound policy to continuously incorporate improvements into products; all specifications are subject to change without notice. For the most current information visit us online at <http://rbhsound.com>. Copyright © 2017 RBH Sound. All Rights Reserved.