

# ARCHITECTURAL SERIES

## IN-CEILING AND IN-WALL SPEAKERS



# A-815

## IN-CEILING SPEAKER

The A-815 is the perfect answer for in-ceiling applications requiring full-range performance while keeping budget in mind. The 8-inch poly graphite cone woofer combined with a 1-inch swivel tweeter provides clarity, accuracy and increased bass performance from its round, flush-trim mounting design.

SOLD THROUGH AUTHORIZED RBH DEALERS

REDEFINING THE WAY YOU EXPERIENCE SOUND™



## SPECIFICATIONS

### MODEL NAME:

A-815

### SYSTEM TYPE:

In-ceiling 2-way Speaker

### SERIES:

Architectural Series

### FREQUENCY RESPONSE:

50Hz-20kHz  $\pm$  3dB

### SENSITIVITY:

90dB (2.83 Volts @ 1 Meter)

### RECOMMENDED POWER:

10-100 Watts

### DRIVE UNITS:

8" (203mm) PolyGraphite Cone Woofer

1" (25mm) Swivel Silk Dome Tweeter

### TWEETER PROTECTION:

Yes

### CROSSOVER FREQUENCY:

3,000 Hz

### CROSSOVER:

12dB/Octave

### IMPEDANCE:

8 Ohms

### CABINET:

White Frame (paintable)

### GRILLE:

White (paintable)

### CUTOUT DIMENSIONS:

9 $\frac{3}{4}$ " (248mm) Dia.

### FINISHED DIMENSIONS:

10 $\frac{3}{4}$ " Dia. x 4 $\frac{3}{4}$ " D

(273mm Dia. x 121mm D)

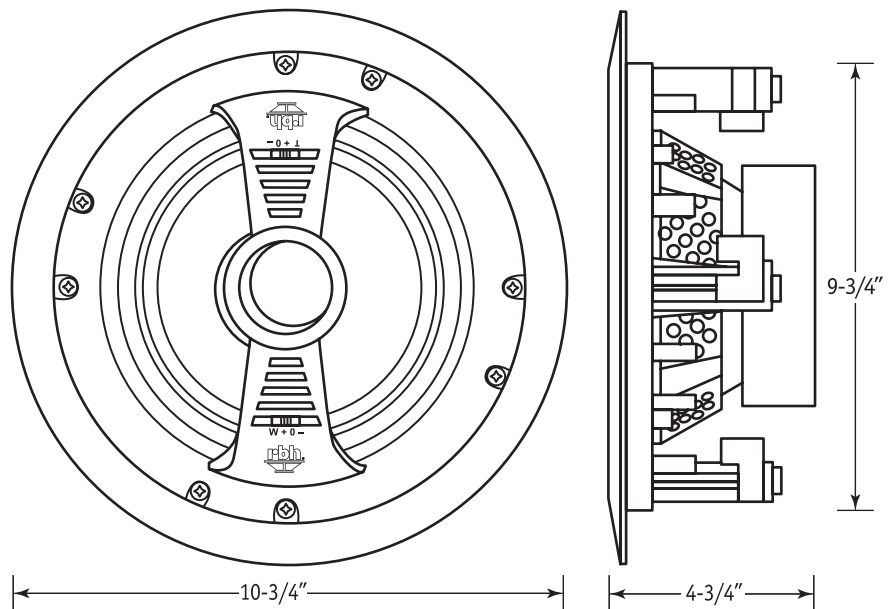
### WEIGHT:

4.75 lbs. (2.16 kg)

### WARRANTY:

25 Years\*

## DIMENSIONS



## FEATURES

- Swing out dog leg mounting system with pre-started screws for fast and easy installation.
- Polyswitch protection circuitry designed to protect the tweeter from being over driven.
- Dual sound contour switches allow the woofer and tweeter output levels to be customized for any room.
- Steep acoustic slope crossovers are used to integrate the drivers.
- Paintable grilles, if you desire to completely conceal your in-ceiling speakers.
- Installation template.

## ACCESSORIES

The below accessories are sold separately.

**Rear Enclosure:** FB-C8

**Back Can:** BC-8R

**Blank Plate:** BP-8R

**Construction Bracket:** NCB-8R

## MATCHING SERIES

**IN-CEILING SPEAKERS:** A-815L, A-615L, A-600, A-605/70, A-607

**IN-WALL SPEAKERS:** A-609, A-610, A-414

**OUTDOOR SPEAKERS:** A0-520, A0-620, R8



**High Performance Home Audio**  
Redefining the Way You Experience Sound™

382 Marshall Way, Ste. A,  
Layton, Utah, USA 84041

(800) 543-2205

(801) 543-2200

Fax: (801) 543-3300

<http://rbhsound.com>

\*Warranted for 25 (twenty-five) years from date of purchase to be free from defects and workmanship. For more information see your RBH dealer.

It is RBH Sound policy to continuously incorporate improvements into products; all specifications are subject to change without notice. For the most current information visit us online at <http://rbhsound.com>. Copyright © 2017 RBH Sound. All Rights Reserved.