

MM-4

COMPACT BOOKSHELF SPEAKER



Compact but mighty, the MM-4 mini-monitor pulls double duty as both a main speaker and a surround speaker. Its 4-inch aluminum cone woofer and 1-inch soft dome tweeter provide rich, full sound despite its compact size. The MM-4 can be conveniently mounted on optional speaker stands* or mounted directly to the wall (a great option for plasma TV owners) using optional mounting brackets.

R B HASSING
TM



REDEFINING THE WAY YOU EXPERIENCE SOUND.™

382 Marshall Way, Layton, Utah • USA • 84041 • Toll Free: (800) 543-2205 • Fax: (801) 543-3300 • www.rbhsound.com
It is RBH Sound policy to continuously incorporate improvements into products; all specifications are subject to change without notice. Copyright © 2009 RBH Sound. All Rights Reserved.

SPECIFICATIONS

MODEL NAME:

MM-4

SYSTEM TYPE:

Bookshelf Speaker

SERIES

CT Series

FREQUENCY RESPONSE

100Hz — 20kHz ± 3dB

SENSITIVITY

85dB (2.83 Volts @ 1 Meter)

RECOMMENDED POWER

50-100 Watts

DRIVE UNITS

(1) 4" (102mm) Aluminum Woofer

(1) 1" (25mm) Silk Dome Tweeter

TWEETER PROTECTION

Yes

CROSSOVER FREQUENCY

3,000 Hz

CROSSOVER

12dB/Octave

IMPEDANCE

8 Ohms

CABINET

Black or White

GRILLE

Black or White

DIMENSIONS

5" W x 7¼" H x 4½" D

(127mm W x 184mm H x 114mm D)

WEIGHT

4 lbs. (1.81 kg)

WARRANTY

5 Years*

*Warranted for 5 (five) years from date of purchase to be free from defects and workmanship. For more information see your RBH dealer.



R B HASSING

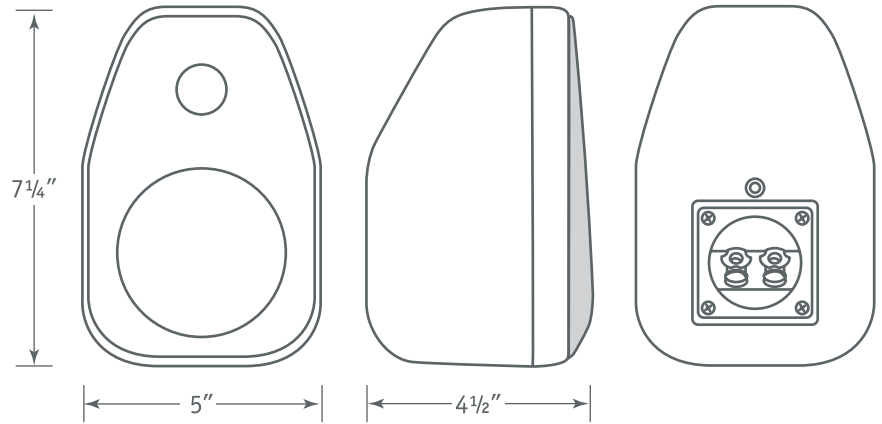


High Performance Home Audio
Redefining the Way You Experience Sound™

MM-4

COMPACT BOOKSHELF SPEAKER

DIMENSIONS



FRONT VIEW

SIDE VIEW

BACK VIEW

ACCESSORIES

SPEAKER STANDS: SSM (sold separately)

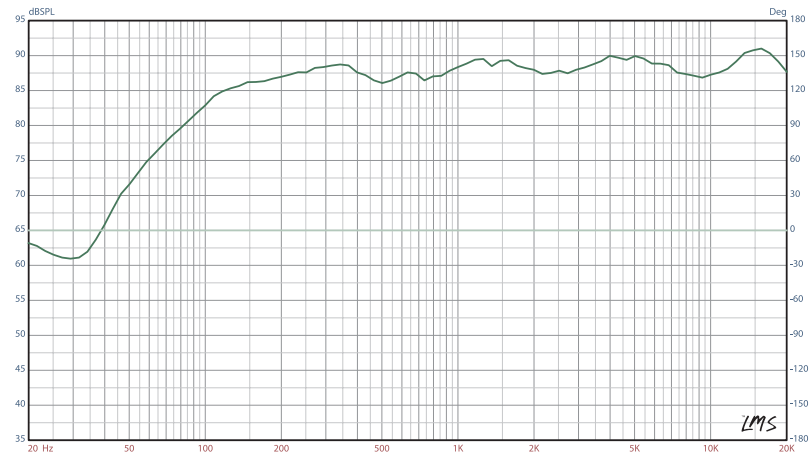
SPEAKER BRACKETS: SB-1, SB-2 (sold separately)

MATCHING SPEAKERS

CENTER/LCR SPEAKER: C-4

SUBWOOFER: MS-8.1, MS-10.1

FREQUENCY RESPONSE GRAPH



Specifications are subject to change. For the most current information visit us online at www.rbhsound.com.