

# MC SERIES

IN-WALL SPEAKERS



## MC-6DB

### IN-WALL SURROUND SPEAKER

Designed to be used for home theater surround channels, the MC-6DB is capable of either bi-polar or di-polar modes. These modes optimize the sound from rear and rear-side effects channels to provide exceptional surround configuration and performance. The sound contour of the  $\frac{3}{4}$ -inch aluminum dome tweeters and  $6\frac{1}{2}$ -inch aluminum cone woofer can be custom tailored through the use of built-in woofer and tweeter level switches.

SOLD THROUGH AUTHORIZED RBH DEALERS

REDEFINING THE WAY YOU EXPERIENCE SOUND™



## SPECIFICATIONS

### MODEL NAME:

MC-6DB

### SYSTEM TYPE:

In-wall 2-way Surround Speaker

### SERIES:

MC Series

### FREQUENCY RESPONSE:

50Hz-20kHz  $\pm$  3dB

### SENSITIVITY:

88dB (2.83 Volts @ 1 Meter)

### RECOMMENDED POWER:

15-120 Watts

### DRIVE UNITS:

- (1) 6-1/2" (165mm) Aluminum Cone Woofer
- (2) 3/4" (19mm) Swivel Aluminum Dome Tweeter

### TWEETER PROTECTION:

Yes

### CROSSOVER FREQUENCY:

3,000 Hz

### CROSSOVER:

12dB/Octave

### IMPEDANCE:

8 Ohms

### CABINET:

White Frame (paintable)

### GRILLE:

White (paintable)

### CUTOUT DIMENSIONS:

7-1/4" W x 11" H  
(184mm W x 279mm H)

### FINISHED DIMENSIONS:

8-1/2" W x 12" H x 3-1/2" D  
(216mm W x 305mm H x 89mm D)

### WEIGHT:

5.05 lbs. (2.43 kg)

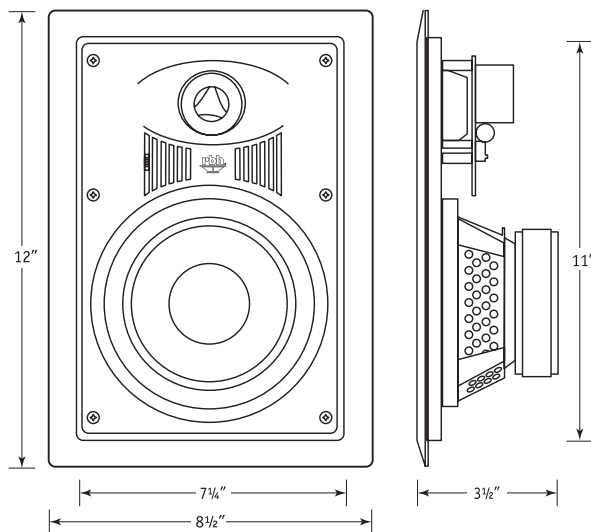
### WARRANTY:

25 Years\*



**High Performance Home Audio**  
Redefining the Way You Experience Sound™

## DIMENSIONS



## MATCHING SERIES

### IN-CEILING SPEAKERS:

MC-615L, MC-815, MC-815L

### IN-WALL SPEAKERS

MC-414, MC-6, MC-616, MC-553

### IN-WALL SUBWOOFER:

MCS-88/MCS-88P

### OUTDOOR SPEAKER:

MC-6AW

## ACCESSORIES

The below accessories are sold separately.

**Rear Enclosure:** FB-W

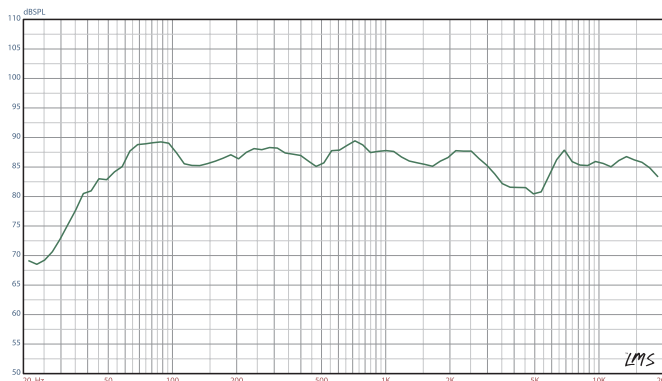
**Blank Plate:** BP-6

**Construction Bracket:** NCB-6

## FEATURES

- Aluminum cone woofers providing a non-compressing piston area for the unparalleled bass response.
- Aluminum dome tweeters have excellent dispersion off-axis for room-filling high frequency accuracy.
- Swivel neodymium tweeters that can be angled up to 30 degrees off axis to provide accurate imaging anywhere in the room.
- Acoustic lens dispersing the high frequency energy, improving the off-axis response of the dome tweeters.
- Computer optimized crossover networks.
- Mylar capacitors minimize distortion and produce uncolored high frequency response.
- Protection devices integrated into the crossover circuitry is self resetting and helps ensure safe operation of the speaker.
- Paintable grilles, if you desire to completely conceal your in-wall speakers.
- Installation template.

## FREQUENCY RESPONSE GRAPH



382 Marshall Way, Ste. A,  
Layton, Utah, USA 84041

(800) 543-2205

(801) 543-2200

Fax: (801) 543-3300

<http://rbhsound.com>

\*Warranted for 25 (twenty-five) years from date of purchase to be free from defects and workmanship. For more information see your RBH dealer.

It is RBH Sound policy to continuously incorporate improvements into products; all specifications are subject to change without notice. For the most current information visit us online at <http://rbhsound.com>. Copyright © 2017 RBH Sound. All Rights Reserved.