

# MC SERIES

## IN-CEILING SPEAKERS



# MC-815L

## IN-CEILING LCR SPEAKER

Designed especially for home theaters, the MC-815L delivers extended bass performance and extremely accurate high frequencies. The 15-degree fixed offset provides better imaging than typical in-ceiling speakers. Like all MC Series in-ceiling speakers, the MC-815L features tweeter and woofer output controls, allowing the MC-815L's sound to be customized for each installation. When extended bass and overall high performance in-ceiling home theater is essential, the MC-815L is the answer.

SOLD THROUGH AUTHORIZED RBH DEALERS

REDEFINING THE WAY YOU EXPERIENCE SOUND™



## SPECIFICATIONS

**MODEL NAME:**  
MC-815L

**SYSTEM TYPE:**  
In-ceiling 15-degree Fixed  
Offset LCR Speaker

**SERIES:**  
MC Series

**FREQUENCY RESPONSE:**  
45Hz-20kHz  $\pm$  3dB

**SENSITIVITY:**  
90dB (2.83 Volts @ 1 Meter)

**RECOMMENDED POWER:**  
15-120 Watts

**DRIVE UNITS:**  
8" (203mm) Aluminum Cone Woofer  
1" (25mm) Swivel Aluminum Dome Tweeter

**TWEETER PROTECTION:**  
Yes

**CROSSOVER FREQUENCY:**  
3,000 Hz

**CROSSOVER:**  
12dB/Octave

**IMPEDANCE:**  
8 Ohms

**CABINET:**  
White Frame (paintable)

**GRILLE:**  
White (paintable)

**CUTOUT DIMENSIONS:**  
10-1/4" (260mm) Dia.

**FINISHED DIMENSIONS:**  
11-5/8" Dia. x 5-3/4" D  
(295mm Dia. x 146mm D)

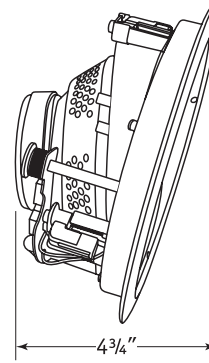
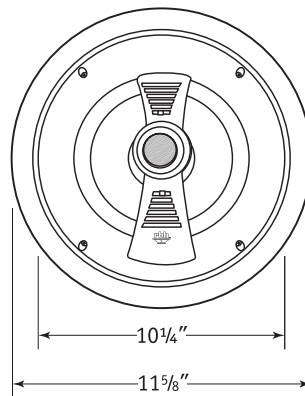
**WEIGHT:**  
5.95 lbs (2.70 kg)

**WARRANTY:**  
25 Years\*



**High Performance Home Audio**  
Redefining the Way You Experience Sound™

## DIMENSIONS



## MATCHING SERIES

**IN-CEILING SPEAKERS:**  
MC-615L, MC-815

**IN-WALL SPEAKERS**  
MC-414, MC-6, MC-616,  
MC-553, MC6-DB

**IN-WALL SUBWOOFER:**  
MCS-88/MCS-88P

**OUTDOOR SPEAKER:**  
MC-6AW

## ACCESSORIES

The below accessories are sold separately.

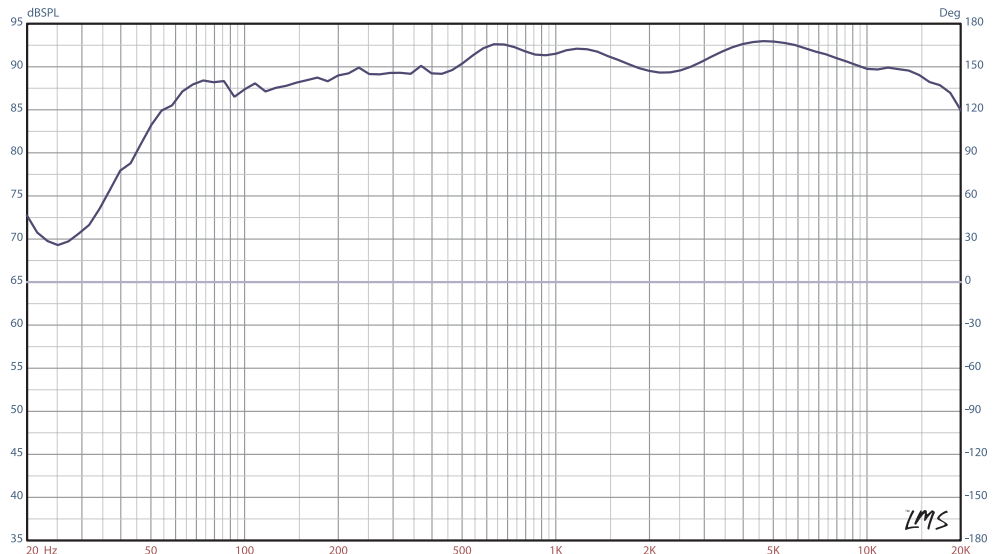
**Rear Enclosure:** FB-C8

**Construction Bracket:** NCB-8RL

## FEATURES

- The 15-degree fixed offset provides better imaging than typical in-ceiling speakers.
- Aluminum cone woofers providing a non-compressing piston area for the unparalleled bass response.
- Aluminum dome tweeters have excellent dispersion off-axis for room-filling high frequency accuracy.
- Computer optimized crossover networks.
- Protection devices integrated into the crossover circuitry is self resetting and helps ensure safe operation of the speaker.
- Paintable grilles, if you desire to completely conceal your in-ceiling speakers.
- Installation template.

## FREQUENCY RESPONSE GRAPH



382 Marshall Way, Ste. A,  
Layton, Utah, USA 84041

(800) 543-2205  
(801) 543-2200

Fax: (801) 543-3300  
<http://rbhsound.com>

\*Warranted for 25 (twenty-five) years from date of purchase to be free from defects and workmanship. For more information see your RBH dealer.

It is RBH Sound policy to continuously incorporate improvements into products; all specifications are subject to change without notice. For the most current information visit us online at <http://rbhsound.com>. Copyright © 2017 RBH Sound. All Rights Reserved.