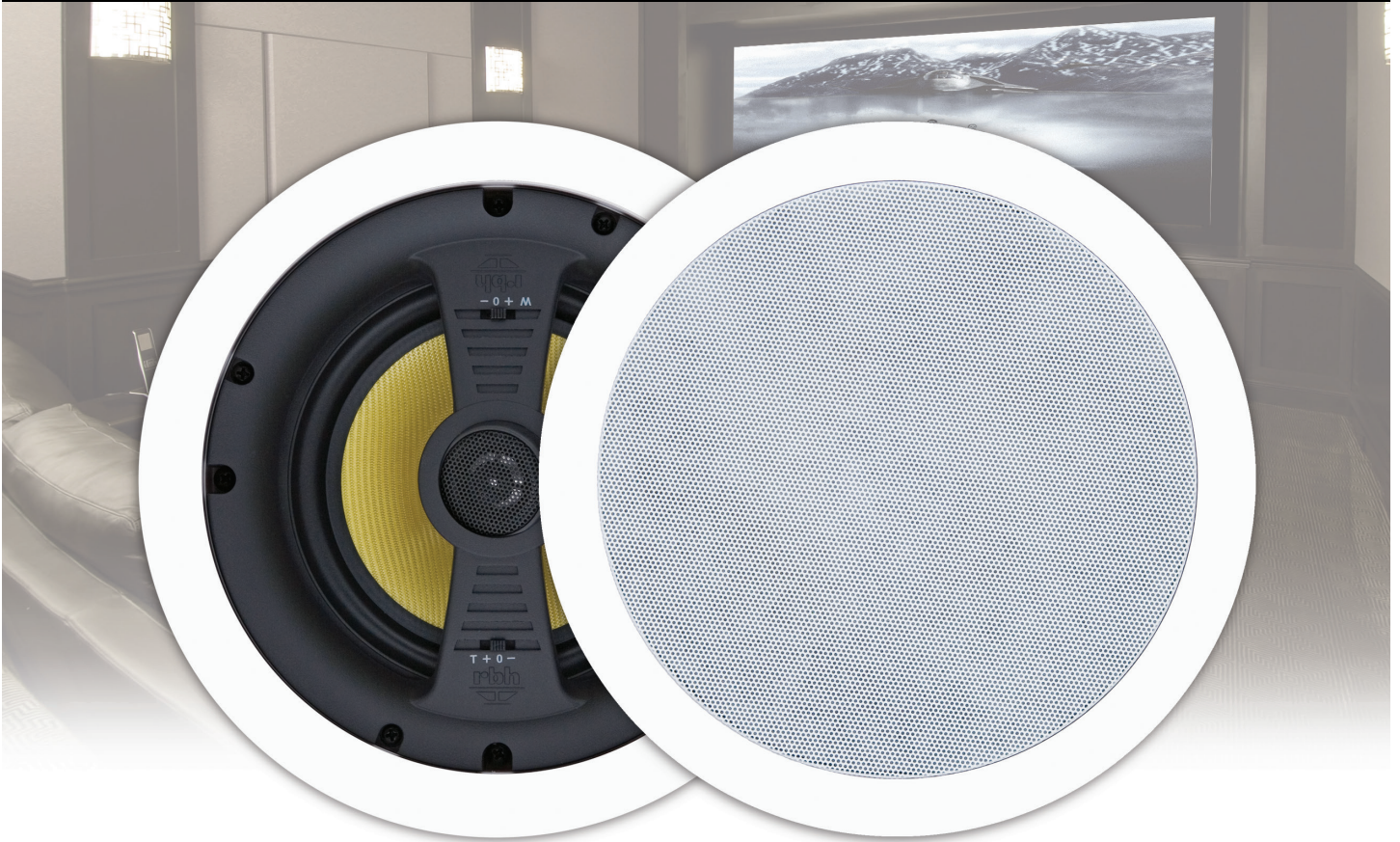


TK SERIES

IN-CEILING SPEAKER



TK-615

IN-CEILING SPEAKER

Optimized for in-ceiling installations, the TK-615 provides a generous upgrade sound for the performance hungry and the budget conscious. The TK-615 is designed for whole house audio and for home theaters where basic speakers just won't do. The 6½-inch fiberglass woofer and a 1-inch aluminum dome tweeter allow the TK-615 to sound its best in any room. Featuring RBH Sound's woven-fiberglass cone technology, the TK-615 provides bulletproof performance.

[SOLD THROUGH AUTHORIZED RBH DEALERS](#)

REDEFINING THE WAY YOU EXPERIENCE SOUND™



SPECIFICATIONS

MODEL NAME:

TK-615

SYSTEM TYPE:

In-ceiling 2-way Speaker

SERIES:

TK Series

FREQUENCY RESPONSE:

50Hz-20kHz \pm 3dB

SENSITIVITY:

90dB (2.83 Volts @ 1 Meter)

RECOMMENDED POWER:

15-100 Watts

DRIVE UNITS:

6 $\frac{1}{2}$ " (165mm) Fiberglass Cone Woofer

1" (25mm) Swivel Aluminum Dome Tweeter

TWEETER PROTECTION:

Yes

CROSSOVER FREQUENCY:

3,000 Hz

CROSSOVER:

12dB/Octave

IMPEDANCE:

8 Ohms

CABINET:

White Frame (paintable)

GRILLE:

White (paintable)

CUTOUT DIMENSIONS:

7-3/4" (197mm) Dia.

FINISHED DIMENSIONS:

9-1/8" Dia. x 4-3/8" D

(232mm Dia. x 111mm D)

WEIGHT:

3.8 lbs. (1.72 kg)

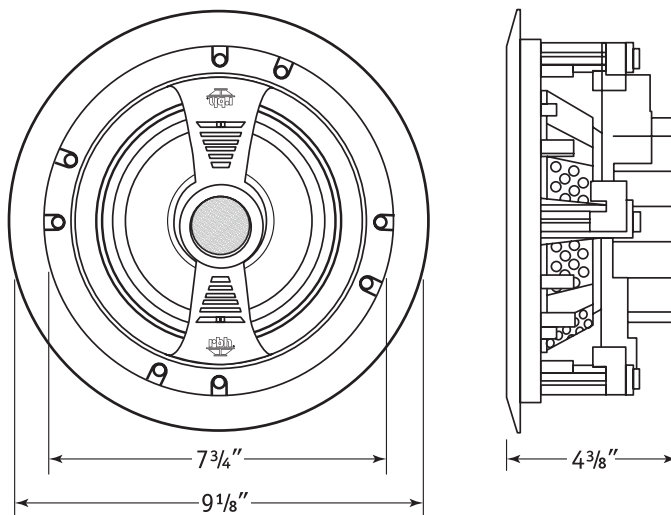
WARRANTY:

25 Years*



High Performance Home Audio
Redefining the Way You Experience Sound™

DIMENSIONS



FEATURES

- Swing out dog leg mounting system with pre-started screws for fast and easy installation.
- Polyswitch protection circuitry designed to protect the tweeter from being over driven.
- Dual sound contour switches allow the woofer and tweeter output levels to be customized for any room.
- Steep acoustic slope crossovers are used to integrate the drivers.
- Paintable grilles, if you desire to completely conceal your in-ceiling speakers.
- Installation template.

ACCESSORIES

The below accessories are sold separately.

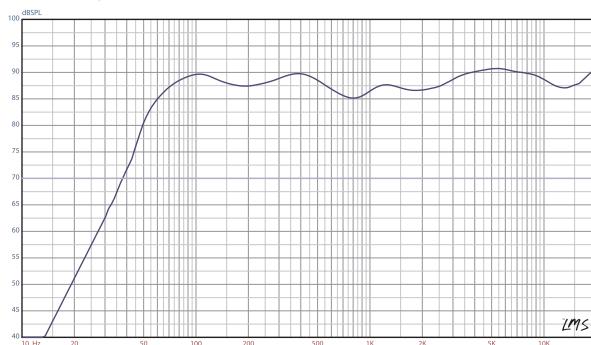
Rear Enclosure: FB-C6

Back Can: BC-6R

Blank Plate: BP-6R

Construction Bracket: NCB-6R

FREQUENCY RESPONSE GRAPH



382 Marshall Way, Ste. A,
Layton, Utah, USA 84041

(800) 543-2205

(801) 543-2200

Fax: (801) 543-3300

<http://rbhsound.com>

*Warranted for 25 (twenty-five) years from date of purchase to be free from defects and workmanship. For more information see your RBH dealer.

It is RBH Sound policy to continuously incorporate improvements into products; all specifications are subject to change without notice. For the most current information visit us online at <http://rbhsound.com>. Copyright © 2017 RBH Sound. All Rights Reserved.