

Signature Series SI-1010 and SI-12 INSTALLATION

SUBWOOFER INSTALLATION INSTRUCTIONS

HARDWARE AND TOOLS NEEDED: Jigsaw, 3/8" wood drill bit, screwdriver or drill with screws.

Unpack the subwoofer from the shipping box. Then proceed with the in-floor installation instructions below or in-ceiling installation instructions on the other side of this installation sheet.

IN-FLOOR INSTALLATION

1. The position of the baffle can be set horizontal or vertical for the SI-12 depending on direction of other existing floor vents. The SI-1010 comes standard with a horizontal baffle. A vertical baffle for the SI-1010 may be purchased separately, see figure 1.

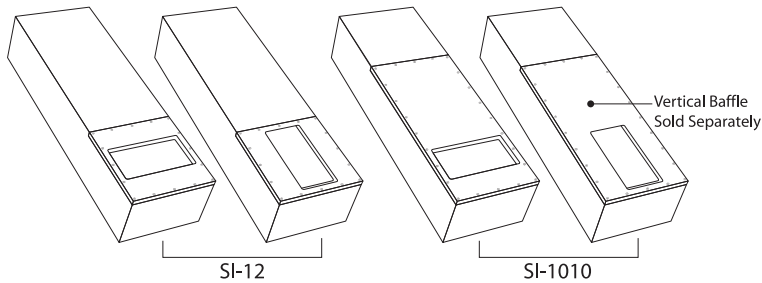


Figure 1

2. Place the subwoofer with the baffle end towards the wall and in between two floor joists. The top of the subwoofer should be flush with the top of edge of the floor joists as shown in figure 2.

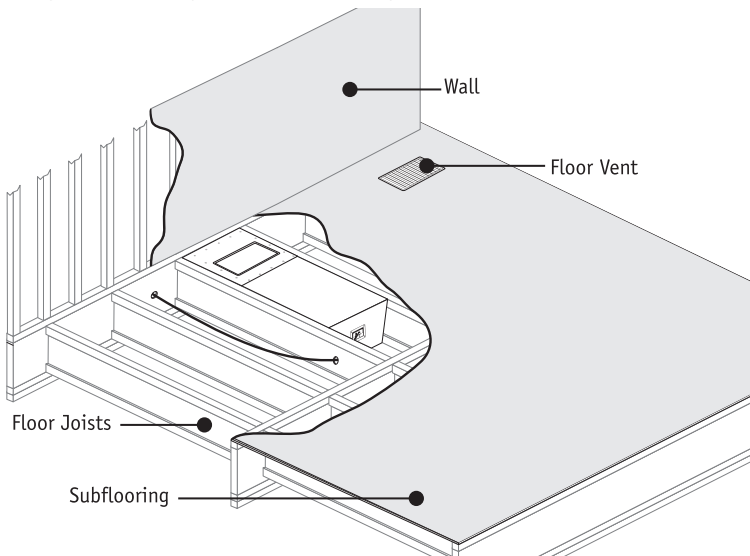


Figure 2

3. Measure and cut through the sub floor for the baffle vent measuring a 6x12-inch opening, see specification on the reverse side of this sheet.

4. Using wood screws, secure the subwoofer to the floor joists as shown in figure 3.

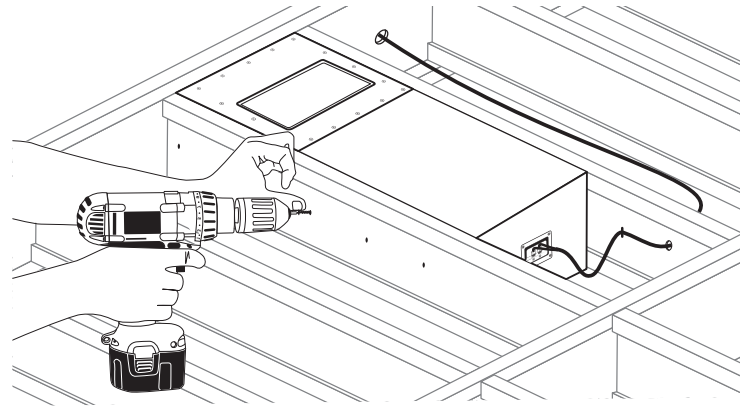


Figure 3

OPTIONAL: Use construction adhesive between the subwoofer cabinet and floor joists to secure the subwoofer in place and reduce vibrations.

NOTE: Be careful not to put screws into the areas indicated in figure 4.

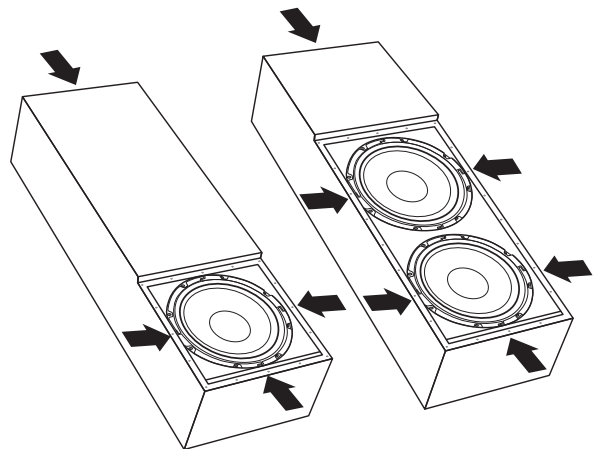


Figure 4

5. Route the speaker cable from the subwoofer to the location of the source components or amplification.

IMPORTANT: Remember to leave enough speaker cable so the subwoofer can be connected.

6. With the subwoofer secured between the floor joists, the baffle installed and the speaker cable connected, the drywall can now be installed.

IN-CEILING INSTALLATION

- The position of the baffle can be set horizontal or vertical for the SI-12 depending on direction of other existing floor vents. The SI-1010 comes standard with a horizontal baffle. A vertical baffle for the SI-1010 may be purchased separately, see figure 1.

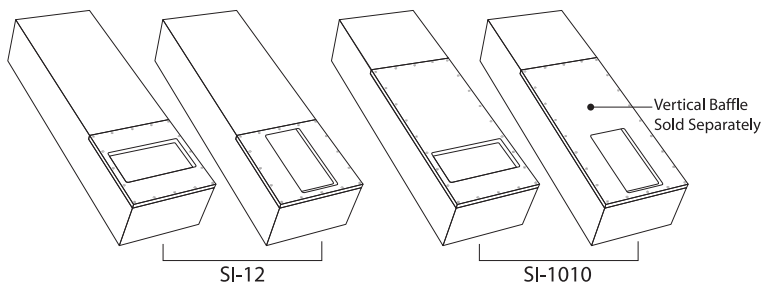


Figure 1

- Place the subwoofer with the baffle end towards the wall in-between two floor joists or trusses. The top of the subwoofer should be flush with the bottom edge of the floor joists or trusses as shown in figure 2.

OPTIONAL: Temporarily hold the subwoofer in place with two 2x4s while installing the subwoofer.

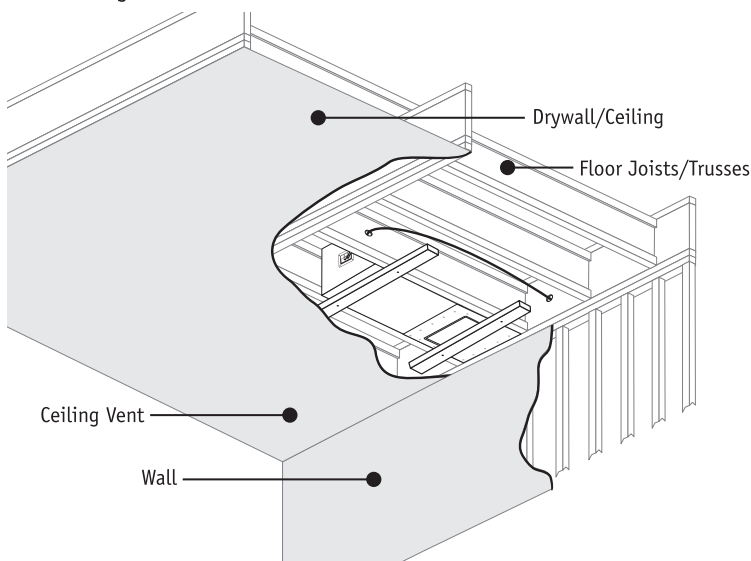


Figure 2

- Using wood screws, secure the subwoofer to the floor joists or trusses as shown in figure 3.

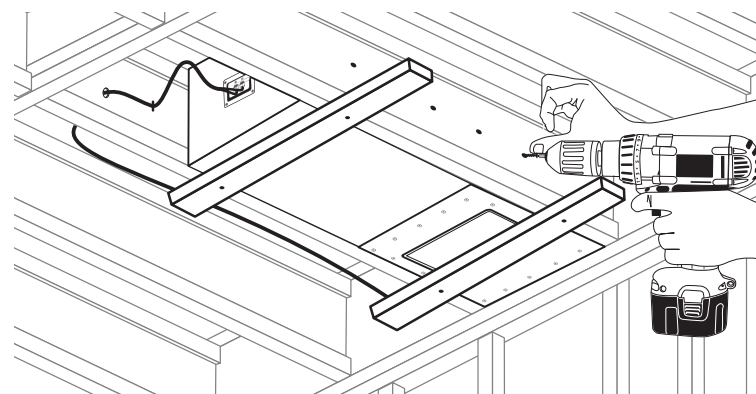


Figure 3

OPTIONAL: Use construction adhesive between the subwoofer cabinet and framing medium to secure the subwoofer in place and reduce vibrations.

NOTE: Be careful not to put screws into the areas indicated in figure 4.

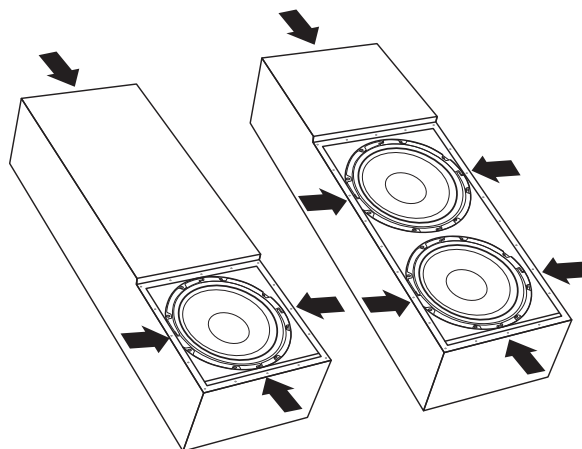


Figure 4

- Run the speaker cable from the subwoofer to the location of the source components or amplification.

IMPORTANT: Remember to leave enough speaker cable so the subwoofer can be connected.

- With the subwoofer secured between the floor joists or trusses, the baffle installed and the speaker cable connected, the drywall can now be installed.

TECHNICAL SPECIFICATIONS:

Model:	SI-1010
Series:	Signature Series
System Type:	In-floor/In-ceiling Subwoofer
Frequency Response:	28Hz–200Hz (± 3 dB)
Sensitivity:	89dB (2.83V @ 1 Meter)
Recommended Power:	100–400 Watts
Drive Units:	(2) 10" (254mm) Aluminum Cone Subwoofers
Impedance:	4 Ohms
Cabinet Material:	Medium Density Fiberboard (MDF)
Grille Options:	Heat vent (in-floor) / Cold-air return (in-ceiling)
Dimensions:	42" H x 13½" W x 9" D (1067mm H x 343mm W x 229mm D)
Vent Opening:	6" H x 12" W (152mm H x 305mm W)
Weight:	68lbs (30.84kg)
Warranty:	5 years

Model:	SI-12
System Type:	In-floor/In-ceiling Subwoofer
Frequency Response:	30Hz–200Hz (± 3 dB)
Sensitivity:	86dB (2.83V @ 1 Meter)
Recommended Power:	100–400 Watts
Drive Units:	(1) 12" (305mm) Aluminum Cone Subwoofer
Impedance:	4 Ohms
Cabinet Material:	Medium Density Fiberboard (MDF)
Grille Options:	Heat vent (in-floor) / Cold-air return (in-ceiling)
Dimensions:	42" H x 13½" W x 9" D (1,067mm H x 343mm W x 229mm D)
Vent Opening:	6" H x 12" W (152mm H x 305mm W)
Weight:	60lbs (27.22kg)
Warranty:	5 years