

661C-SF | 661C-SF/R

SF series

rbh signature product



standard or reference available

TWO WAY 6 ½ CENTER SPEAKER SIGNATURE AND REFERENCE OPTIONS



sleek satin finish

magnetically attached grille

You can elevate your LCR performance with our dedicated, timbre-matched center channel 661C-SF or Reference version 661C-SF/R. You will immediately notice the vocal improvement.

Fine-tuning your home theater by adding our dedicated center channel may be the tweak needed to fully enjoy your system. A clear, natural voice is very important.

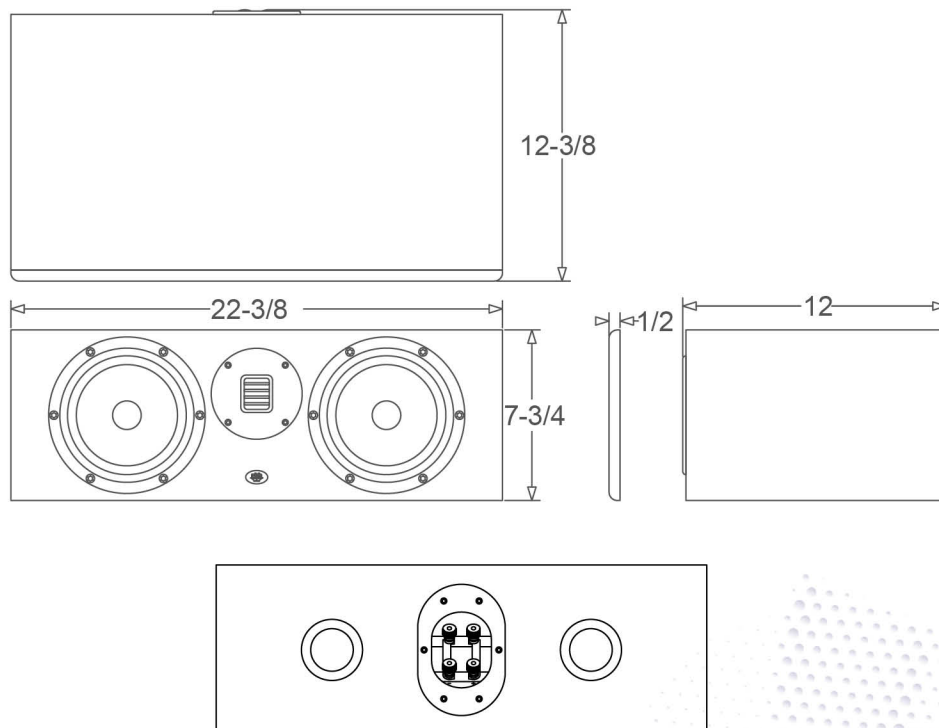


661C-SF 661C-SF/R

The ideal center channel companion for any 6½-inch Signature speaker model, the 661C-SF bestows upon its audience impressive, near full-range, natural-voice performance. It's one of, if not the most important speaker in your system. Sporting dual 6½-inch aluminum cone woofers and a 1-inch fabric dome tweeter providing smooth articulation, the 661C-SF is an impressive center channel by any standard.

Want to enhance the experience further? The 661C-SF/R is the answer! This upgrade includes:

- RBH Reference AMT tweeter
- Dual RBH Reference aluminum mid driver with solid metal phase plugs
- Enhanced crossover circuit



SF-SERIES Freestanding Bookshelf On-wall

- Available in black or silver, signature or reference aluminum drivers

- Provides timbre matched options for multi-channel sound across all freestanding, bookshelf, on-wall and in-wall products in the SF, SV or SI-Series

- Individually hand assembled and tested. Cabinet made in USA of High Density Fiberboard (HDF)



*Limited Warranty for 10 years (with registration) from date of purchase to be free from defects and workmanship. For more information contact your RBH dealer or check our website.

It is RBH Sound policy to continuously incorporate improvements into products; all specifications are subject to change without notice. For the most current information visit us online at <https://rbhsound.com>. Copyright ©2023 RBH Sound. All Rights Reserved.

Model	661C-SF	661C-SF/R
SYSTEM TYPE	Freestanding Loudspeaker	Freestanding Loudspeaker
FREQUENCY RESPONSE	50Hz-20kHz (±3dB)	50Hz-40kHz (±3dB)
SENSITIVITY <small>(2.83V @ 1 Meter)</small>	90dB	91dB
RECOMMENDED POWER	75-200 Watts	75-250 Watts
DRIVE UNITS	(2) 1" Soft Dome Tweeter, (1) 6.5" Aluminum Cone Woofer	(1) 1.38"x1" AMT Tweeter, (2) 6.5" Aluminum Cone Phase Plug Woofer
TWEETER PROTECTION	Yes	Yes
CROSSOVER FREQUENCY	2700Hz	2700Hz
CROSSOVER SLOPE	24dB/Octave	24dB/Octave
IMPEDANCE	6Ω	6Ω
CABINET/ COLOR	HDF construction, Satin Black or White	HDF construction, Satin Black or White
GRILLE	Black or White high quality cloth	Black or White high quality cloth
WEIGHT	30.65 lbs (13.9 kg)	31 lbs (14.06 kg)
FINISHED DIMENSIONS	22-3/8"W x 7-3/4"H x 12-3/8"D (569 x 197 x 315mm)	22-3/8"W x 7-3/4"H x 12-3/8"D (569 x 197 x 315mm)
WARRANTY	*10 Year Limited	*10 Year Limited

Designed, Engineered, Tested and Assembled in USA from American and Imported Parts

RBH Sound • 382 Marshall Way, Ste A, Layton, Utah • USA • 84041
(801) 543-2200 • <https://rbhsound.com>