

12P-SF/R | 12N-SF/R

SF series

rbh signature product



SIGNATURE REFERENCE 12" SUB

BIG BASS - CONVENIENT SIZE

HDF construction

800 Watt amp with programmed DSP options

Down-firing port

Magnetically attached grille

12" black or silver aluminum
Signature Reference Driver

YOU want defined big bass, but don't have big space to park it. RBH 12-SF/R reference subs are your answer. Small footprint compared to output. Bottom ported achieves down to 22Hz!

Whether passive, or powered with our in-board 800 Watt DSP amp, the 12" proprietary reference aluminum driver plus large bottom port are the perfect deep bass combination.



12P-SF/R 12N-SF/R

Built to deliver copious amounts of deep and powerful bass with precise control in a manageable size, the 12P-SF/R powered subwoofer is a welcome and conveniently placed "must have" to complete your home theater or any listening experience. The 12P-SF/R features our reference 12-inch long-throw aluminum cone driver coupled with our P-802DSP 800 Watt class D amplifier that can be tuned to perfectly fit your environment for optimum performance. For complete bass coverage two subs is best which is easily done due to the size of the 12P-SF/R.

The 12N-SF/R has all of the perks of the 12P-SF/R with the added benefit of customizing your experience with the amplifier of your choosing. Whether you go all out with our DA-1202DSP amplifier or provide your own, the power is in your hands.

SF-SERIES
Freestanding
Bookshelf
On-wall

- Available with black or silver aluminum cone reference drivers

- Provides timbre matched options for multi-channel sound across all freestanding, bookshelf, on-wall and in-wall products in the SF, SV or SI-Series

- Individually hand assembled and tested. Cabinet made in USA of High Density Fiberboard (HDF)

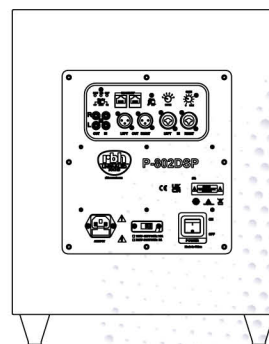
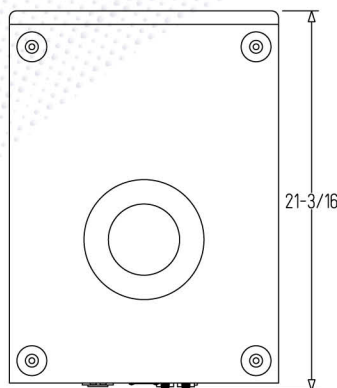
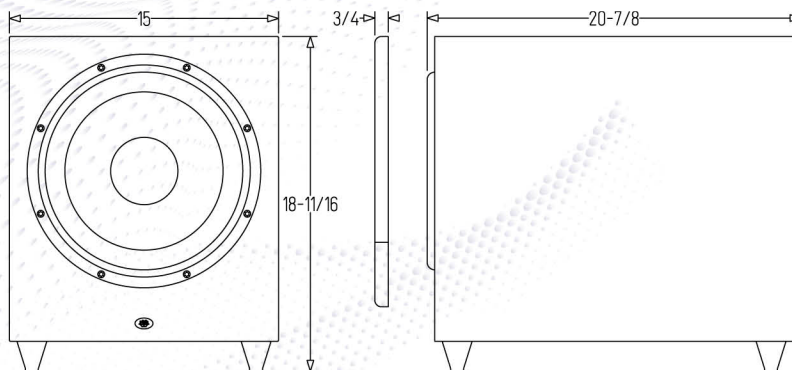
- Available in satin black or white



*Cabinet and components warrantied (with registration) for 10 years, Amp 3 years from date of purchase to be free from defects and workmanship. For more information contact your RBH dealer or check our website.

It is RBH Sound policy to continuously incorporate improvements into products; all specifications are subject to change without notice.

For the most current information visit us online at <https://rbhsound.com>.
Copyright ©2023 RBH Sound. All Rights Reserved.



Model	12P-SF/R	12N-SF/R
SYSTEM TYPE	Freestanding Powered Subwoofer	Freestanding Passive Subwoofer
FREQUENCY RESPONSE	22-150hz (±3dB)	26-120hz (±3dB) 22-150hz with RBH DA Amp
SENSITIVITY <small>(2.83V @ 1 Meter)</small>	N/A	87dB
AMPLIFIER POWER	800 Watts DSP Customizable	300-800 Watts recommended
DRIVE UNITS	(1) 12" Aluminum Reference Driver Black or Silver	(1) 12" Aluminum Reference Driver Black or Silver
PHASE CONTROL	0°-180° (+delay in Software)	N/A
CROSSOVER FREQUENCY	40-180Hz (variable)	N/A
CROSSOVER SLOPE	6-48dB/Octave (in Software)	12dB/Octave
IMPEDANCE	N/A	4Ω
CABINET/ COLOR	Satin Black or White	Satin Black or White
GRILLE	Black or White premium fabric	Black or White premium fabric
WEIGHT	60.7 lbs (27.53kg)	58.5 lbs (26.53kg)
FINISHED DIMENSIONS	15" W x 18-11/16" H x 21-3/16" D (381 W x 474 H x 538 D mm)	15" W x 18-11/16" H x 21-3/16" D (381 W x 474 H x 538 D mm)
WARRANTY	*Limited 10 years Sub 3 years Amp	*Limited 10 years Sub

Designed, Engineered, Tested and Assembled in USA from American and Imported Parts

RBH Sound • 382 Marshall Way, Ste A, Layton, Utah • USA • 84041
(801) 543-2200 • <https://rbhsound.com>