

61-SFM | 61-SFM/R

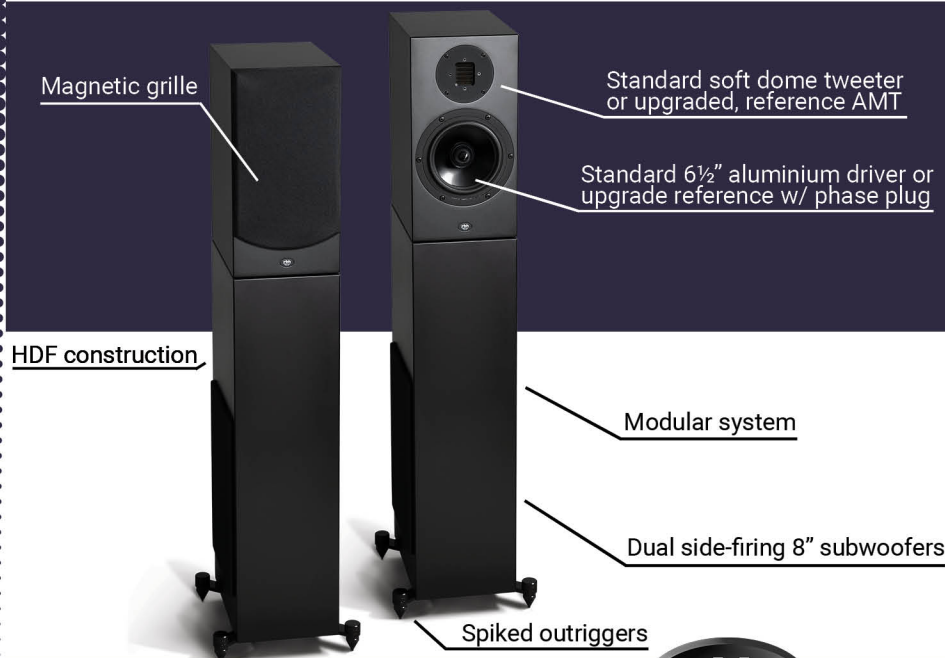
SF series

rbh signature modular system



SIGNATURE MODULAR TOWER

BOOKSHELF SPEAKER W/ DUAL 8" SUB IN THE STAND



You will be astounded at the level of detail and impact from this conservative footprint, modular tower! The 61-SF with the 88-MS dual 8" aluminum subwoofer module makes it happen.

The solution for your smaller home theater or dedicated 2-channel listening experience. Standard or Reference available providing the performance levels you expect from RBH.



61-SFM

61-SFM/R

The 61-SFM modular tower speaker will surprise you. The detailed, enveloping, wide soundstage presence of this small profile speaker is astounding! The 2-way, 61-SF bookshelf speaker with 6½-inch aluminum cone mid-woofer and 1-inch soft dome tweeter, provides the clarity and subtle detail you've come to expect from RBH signature products. With the addition of the 88-MS, slot-port, dual 8" aluminum cone subwoofer module at its base, you experience an unexpected punch that belies the size of this system.

For even greater detail and clarity, step up to the 61-SFM/R

Upgrade includes:

- RBH Reference AMT tweeter
- RBH Reference aluminum mid-woofer driver with solid metal phase plug

SF-SERIES
Freestanding
Bookshelf
On-wall

- Available in black or silver, standard or reference aluminum drivers

- Provides timbre matched options for multi-channel sound across all freestanding, bookshelf, on-wall and in-wall products in the SF, SV or SI-Series

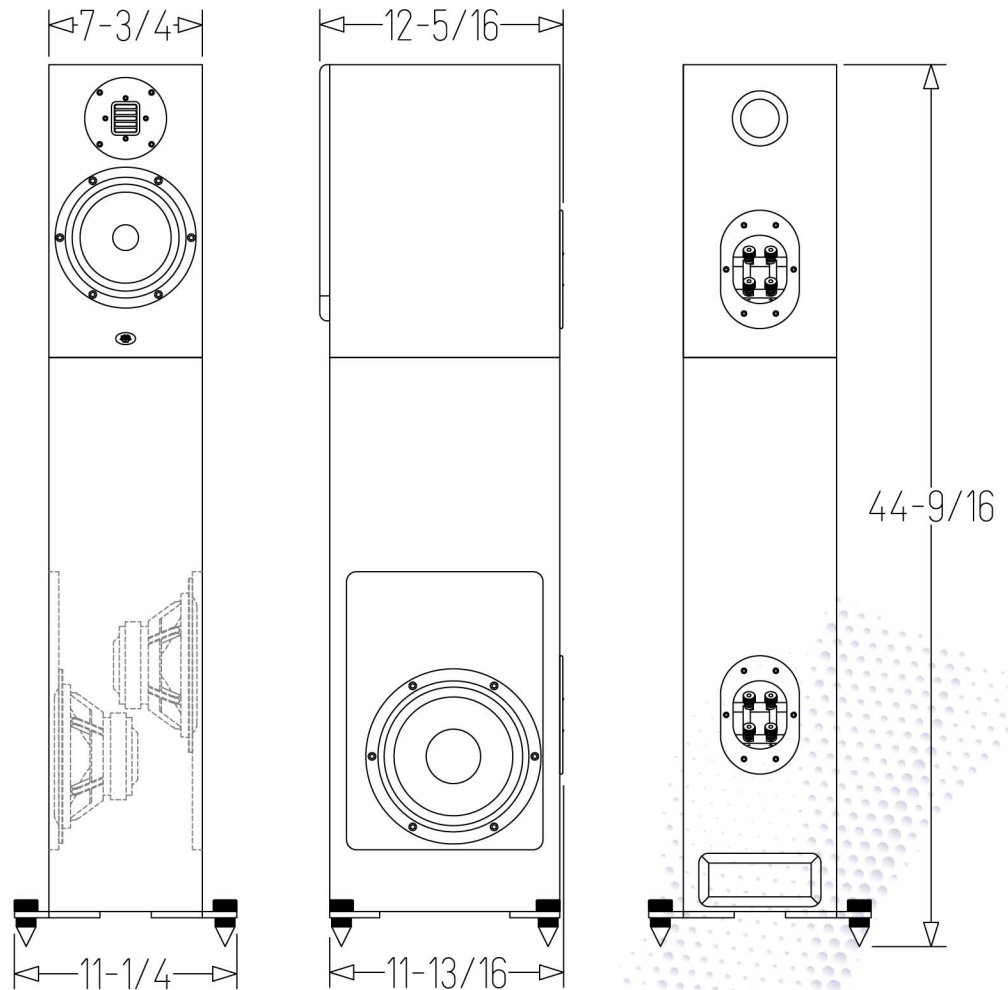
- Individually hand assembled and tested. Cabinet made in USA of High Density Fiberboard (HDF)



*Limited Warranty for 10 years (with registration) from date of purchase to be free from defects and workmanship. For more information contact your RBH dealer or check our website.

It is RBH Sound policy to continuously incorporate improvements into products; all specifications are subject to change without notice.

For the most current information visit us online at <https://rbhsound.com>. Copyright ©2023 RBH Sound. All Rights Reserved.



Model	61-SFM	61-SFM/R
SYSTEM TYPE	Freestanding Loudspeaker	Freestanding Loudspeaker
FREQUENCY RESPONSE	30Hz-20kHz (±3dB)	30Hz-40kHz (±3dB)
SENSITIVITY (2.83V @ 1 Meter)	87dB	87dB
RECOMMENDED POWER	75-250 Watts	75-250 Watts
DRIVE UNITS	(1) 1" Soft Dome Tweeter, (1) 6.5" Alu Cone Mid, (2) 8" Alu Cone Woofers	(1) AMT Tweeter, (1) 6.5" Alu Cone Mid, (2) 8" Alu Cone Woofers
TWEETER PROTECTION	Yes	Yes
CROSSOVER FREQUENCY	100Hz, 2700Hz	100Hz, 2700Hz
CROSSOVER SLOPE	12dB/Octave	12dB/Octave
IMPEDANCE	6Ω	6Ω
CABINET / COLOR	HDF construction, Satin Black or White	HDF construction, Satin Black or White
GRILLE	Black or White fabric	Black or White fabric
WEIGHT	62 lbs. (28.12 kg)	62 lbs. (28.12 kg)
DIMENSIONS	7¾" W x 44¾" H x 11⅞" D	7¾" W x 44¾" H x 11⅞" D
WARRANTY	*10 Year Limited	*10 Year Limited



available in
standard
or
reference

Designed, Engineered, Tested and Assembled in USA from American and imported parts

RBH Sound • 382 Marshall Way, Ste A, Layton, Utah • USA • 84041
(801) 543-2200 • <https://rbhsound.com>