

SFTR

SF series

rbh reference modular system



REFERENCE MODULAR TOWER

A PERFECT BLEND OF CLARITY, POWER & BASS



You will disappear into the stunning clarity and immense power of this flexible modular tower. The dual, sealed, reference 12" sub supplements the full range 821-SF/R with astounding effect.

If you are looking for an elite performance tower with minimum visual impact, this speaker is the answer. It offers the ultimate blend of dynamics and musicality within a small footprint.



SFTR

This modular tower system combines the **821-SF/R** speaker with the **1212-MS/R** subwoofer to create an incredible reference tower. It offers the perfect blend of elite audio presentation with minimal visual impact. The subwoofer module is purpose built to supplement the dual 8-inch aluminum mid-woofers and reference AMT tweeter in the top module with depth defying, musical bass. The dual 12-inch reference aluminum sub drivers deliver the sonic impact, clarity and low-end extension of a much larger speaker due to the high output, 2400W, DSP controlled, onboard or external amplifier. You will be amazed at this speaker's dominance in both home theater or critical two channel listening.

Dual Binding Posts allow midrange and tweeter connection to your choice of external amplification. Please contact your RBH dealer or RBH technical support for custom solutions.

SF-SERIES

- Freestanding -
- Bookshelf -
- On-wall -

- Available in black or silver, aluminum cone drivers

- Provides timbre matched options for multi-channel sound across all freestanding, bookshelf, on-wall and in-wall products in the SF, SV or SI-Series

- Individually hand assembled and tested. Cabinet made in USA of High Density Fiberboard (HDF)

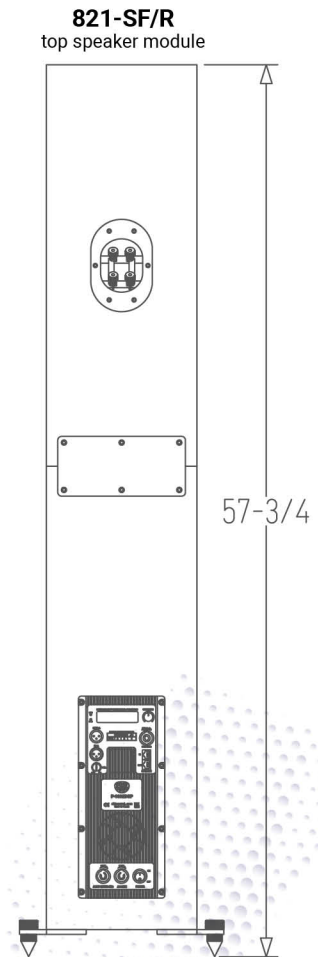
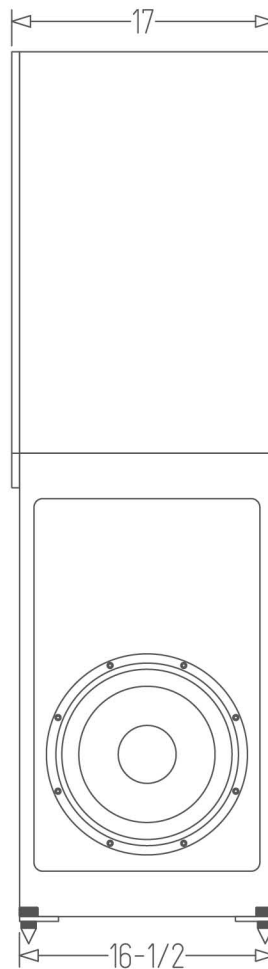
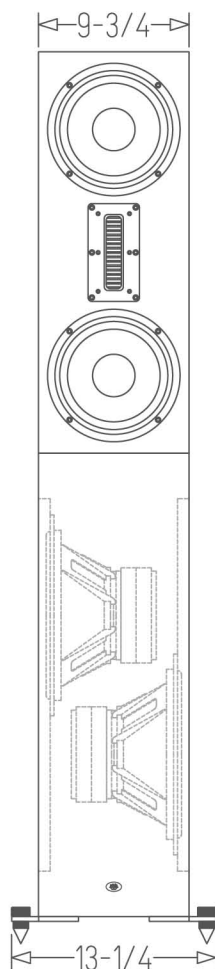
- Available in satin black or white



*Limited Warranty 10 years cabinet and components, 3 years amp (with registration) from date of purchase to be free from defects and workmanship. For more information contact your RBH dealer or check our website.

It is RBH Sound policy to continuously incorporate improvements into products; all specifications are subject to change without notice.

For the most current information visit us online at <https://rbhsound.com>.
Copyright ©2023 RBH Sound. All



821-SF/R
top speaker module

1212-MS/R subwoofer
available with internal
2400W DSP amp
or
RBH chassis
DSP Sub amp
2400W (DA-2602)

MODEL NAME	SFTR
SYSTEM TYPE	Signature Freestanding Modular Loudspeaker System
FREQUENCY RESPONSE	20Hz-35kHz (±3dB)
SENSITIVITY <small>(2.83V @ 1 Meter)</small>	92dB
RECOMMENDED POWER	100-350 Watts 821-SF/R (top speaker module)
RBH DSP SUB AMPLIFIER	Internal option: 2400 Watts External option: 2400 Watts (RBH DA-2602)
DRIVE UNITS	821-SF/R (1) AMT Tweeter, (2) 8" Aluminum Cone Mid-Woofers 1212-MS/R (2) 12" Aluminum Cone Woofers
TWEETER PROTECTION	Yes
CROSSOVER FREQUENCY	80 Hz 6dB/Octave (defeatable)
CROSSOVER SLOPE	24dB/Octave
IMPEDANCE	821-SF/R 6Ω : 1212-MS/R 4Ω
CABINET/ COLOR	HDF construction, Satin Black or White
GRILLE	White or Black fabric
WEIGHT	137lbs (62.15kg)
FINISHED DIMENSIONS	57 ¾ H x 17 D x 13 ¼ W
WARRANTY	*Limited 10 years / 3 years amp

Designed, Engineered, Tested and Assembled in USA from American and imported parts

RBH Sound • 382 Marshall Way, Ste A, Layton, Utah • USA • 84041
(801) 543-2200 • <https://rbhsound.com>