

# 821-SF/R

# SF series

**rbh** reference product



## REFERENCE DUAL 8IN LCR

### A PERFECT BLEND OF CLARITY and POWER



Dynamic 8" aluminium drivers

High output AMT tweeter

Heavily braced HDF construction

**You** will disappear into the stunning clarity and power handling of this flexible LCR speaker. The dual, sealed, reference 8-inch mid-woofers complement the robust AMT tweeter with astounding effect.

If you are looking for an elite performance highly versatile all around speaker this one is the answer. It offers the ultimate blend of dynamics and musicality.



# 821-SF/R

The reference version big brother to its smaller 661-SF/R, sibling, the 821-SF/R can be used for high-fidelity, high-output 2-channel stereo systems and home theater systems alike. As a stereo pair, the 821-SF/R is sure to please listeners with a musical experience as the recording artist originally intended due to its lower frequency ability and effortless high-end produced by the reference quality large AMT tweeter. For home theater, the 821-SF/R's dual 8-inch reference aluminum cone woofers add depth to the crystal-clear dialog and vibrant sound effects with superb clarity and acoustic performance. These reference drivers provide extended frequency response, greater power handling and improved dynamic range. The 821-SF/R is versatile enough that it can be used for nearly any main or effect channel in a larger theater multi-channel surround sound system.

## SF-SERIES

- Freestanding -
- Bookshelf -
- On-wall -

- Black anodized reference aluminum drivers housed in cast aluminum baskets

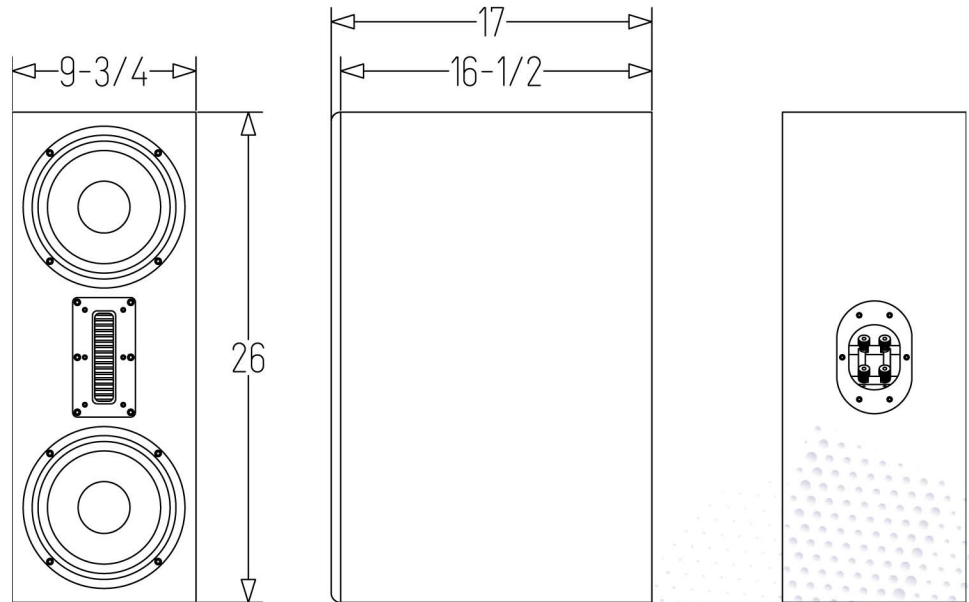
- Provides timbre matched options for multi-channel sound across all freestanding, bookshelf, on-wall and in-wall products in the SF, SV or SI-Series

- Individually hand assembled and tested. Cabinet made in USA of High Density Fiberboard (HDF)



\*Limited Warranty for 10 years (with registration) from date of purchase to be free from defects and workmanship. For more information contact your RBH dealer or check our website.

It is RBH Sound policy to continuously incorporate improvements into products; all specifications are subject to change without notice. For the most current information visit us online at <https://rbhsound.com>. Copyright ©2023 RBH Sound. All



MODEL NAME	821-SF/R
SYSTEM TYPE	Signature Reference Freestanding
FREQUENCY RESPONSE	55Hz-35kHz (±3dB)
SENSITIVITY <small>(2.83V @ 1 Meter)</small>	92dB
RECOMMENDED POWER	100-350W
DRIVE UNITS	(1) AMT Tweeter, (2) 8" Aluminum Cone Mid-Woofers
TWEETER PROTECTION	Yes
CROSSOVER FREQUENCY	2200 Hz
CROSSOVER SLOPE	24dB/Octave
IMPEDANCE	4Ω
CABINET/ COLOR	HDF construction, Satin Black or White
GRILLE	Black or White fabric
WEIGHT	50.25 lbs (22.8 kg)
FINISHED DIMENSIONS	9-3/4" W x 26" H x 17" D (248 x 660 x 432mm)
WARRANTY	*10 Year Limited

Designed, Engineered, Tested and Assembled in USA from American and Imported Parts

RBH Sound • 382 Marshall Way, Ste A, Layton, Utah • USA • 84041  
(801) 543-2200 • <https://rbhsound.com>