

rbh signature product



available in
standard or reference

SIGNATURE IN-WALL LOUDSPEAKER

ULTIMATE THEATER VERSATILITY

Heavily braced HDF box

Seperate baffle design

Reference aluminum driver

Reference AMT Tweeter

Fabric grille



Your custom installed SI-760 or Reference SI-760/R is a sealed design built-in speaker, perfect for music and movies. The sealed design provides controlled linear, highly detailed sound.

This MTM design can be your entire theater, LCR, sides and surrounds. Just add a RBH subwoofer or, better, two for balanced bass response, and enjoy an amazing performance!



SI-760

SI-760/R

The SI-760 is a classic D'Appolito MTM (Mid/Tweeter/Mid) design, which lends itself perfectly for use as a main, center (horizontal or vertical), or surround speaker. Dual 6½-inch aluminum cone woofers and a 1-inch fabric dome tweeter make up the SI-760's powerful driver complement. The versatility and exceptional performance of this in-wall speaker are what make it one of RBH's most popular in-wall models.

As the reference version of the SI-760, the SI-760/R performs as a main, center, or surround speakers in a surround sound system. The SI-760/R can also be teamed up with other Signature Reference models to create a custom timbre-matched home theater system.

SI-SERIES IN-WALL Speaker

- Proprietary damped, aluminum drivers, standard or reference

- Heavily braced, HDF cabinet construction, sized to fit between studs placed 16" on center

- Tweeter protection circuitry is incorporated to prevent driver damage if over driven

- Separate baffle design allows for cabinet installation during construction without worry of driver damage. Retrofit baffle in-wall bracket is available

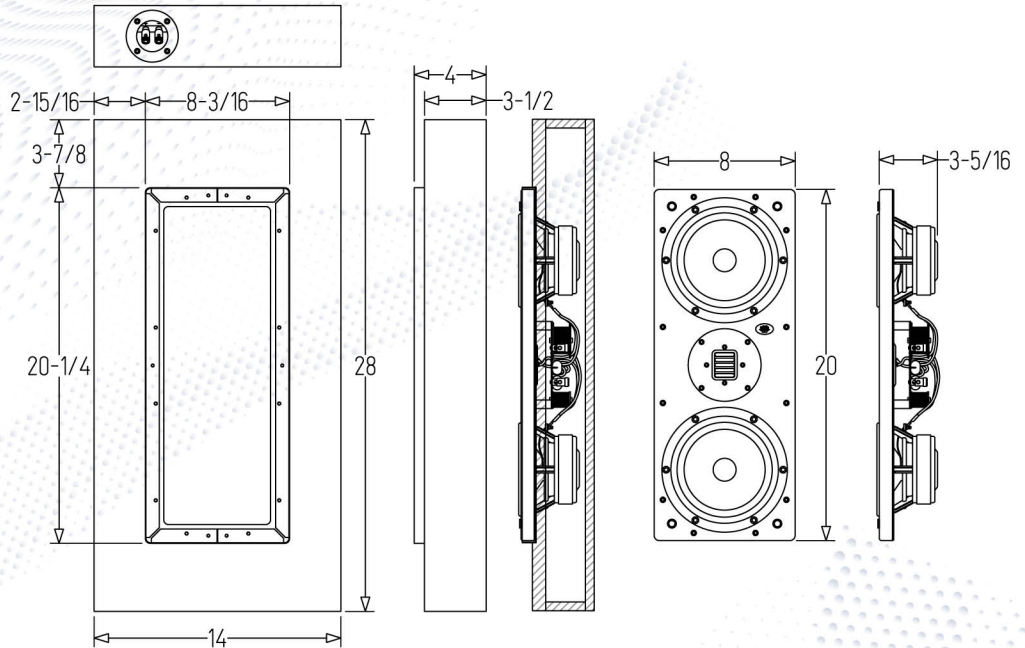
- multiple in/on-wall options in the series are designed for wide range of requirements



*Limited 10 Year Warranty (with registration) from date of purchase to be free from defects and workmanship. For more information contact your RBH dealer or check our website.

It is RBH Sound policy to continuously incorporate improvements into products; all specifications are subject to change without notice.

For the most current information visit us online at <https://rbhsound.com>.
Copyright ©2023 RBH Sound. All Rights Reserved.



MODEL NAME:	SI-760
SYSTEM TYPE:	Sealed / LCR 2-way Speaker
SERIES:	Signature Series In-wall Speaker
FREQUENCY RESPONSE:	60Hz-20kHz (±3dB)
SENSITIVITY:	90dB (2.83V @ 1 Meter)
RECOMMENDED POWER:	75-200 Watts
DRIVE UNITS:	(2) 6-1/2" (165mm) cast aluminum basket, aluminum cone woofers (sliver or black-anodized) (1) 1" (25mm) Fabric Dome Tweeter
TWEETER PROTECTION:	Yes
CROSSOVER FREQUENCY:	2700Hz
CROSSOVER SLOPE:	24dB/Octave
IMPEDANCE:	6 Ω
CABINET:	High Density Fiberboard (HDF) Black Satin Paint
GRILLE:	Black or White (fabric)
BAFFLE DIMENSIONS:	8" W x 20 1/4" H (203mm W x 562mm H)
FINISHED DIMENSIONS:	14" W x 28" H x 4" D (356mm W x 711 mm H x 102mm D)
WEIGHT:	27.5 lbs (12.4 kg)
WARRANTY:	*10 Year Limited

MODEL NAME:	SI-760/R
SYSTEM TYPE:	Sealed / LCR 2-way Speaker
SERIES:	Signature Reference Series In-wall Speaker
FREQUENCY RESPONSE:	60Hz-40kHz (±3dB)
SENSITIVITY:	91dB (2.83 Volts @ 1 Meter)
RECOMMENDED POWER:	75-250 Watts
DRIVE UNITS:	(2) 6-1/2" (165mm) cast aluminum basket, aluminum cone woofers (sliver or black-anodized), with solid aluminum phase plug, (1) 1.38" X 1" (35mm x 25mm) AMT tweeter
TWEETER PROTECTION:	Yes
CROSSOVER FREQUENCY:	2700Hz
CROSSOVER SLOPE:	24dB/Octave
IMPEDANCE:	6 Ω
CABINET:	High Density Fiberboard (HDF) Black Satin Paint
GRILLE:	Black or White (fabric)
BAFFLE DIMENSIONS:	8" W x 20 1/4" H (203mm W x 562mm H)
FINISHED DIMENSIONS:	14" W x 28" H x 4" D (356mm W x 711 mm H x 102mm D)
WEIGHT:	28 lbs (12.7 kg)
WARRANTY:	*10 Year Limited

Designed, Engineered, Tested and Assembled in USA from American and imported parts

RBH Sound • 382 Marshall Way, Ste A, Layton, Utah • USA • 84041
(801) 543-2200 • <https://rbhsound.com>