

SI-821/R | SI-821C/R

SI series

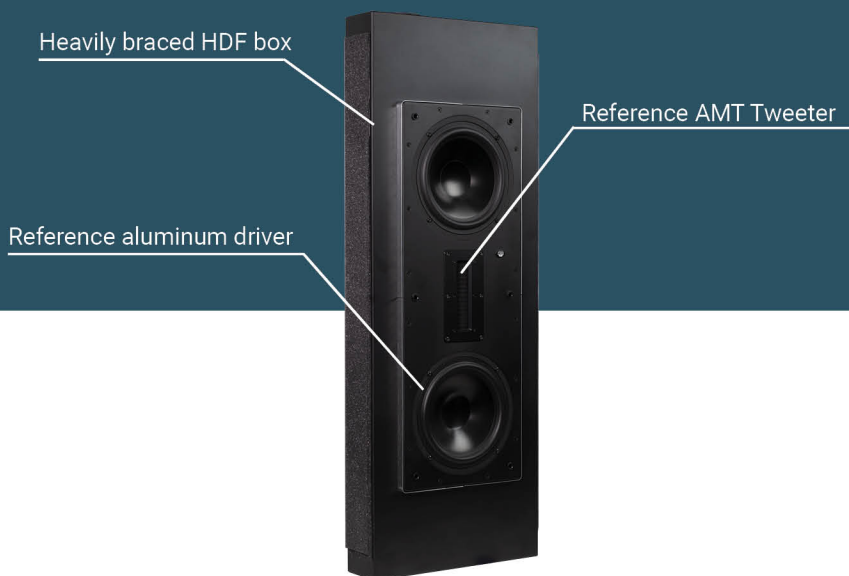
rbh signature product



REFERENCE IN-WALL SPEAKERS HIGH OUTPUT DUAL 8in LCR SET

Your custom installed SI-821/R and SI-821C/R whole theater LCR and surrounds set are sealed-cabinet reference speakers. Discreet yet controlled, accurate, high power handling.

When room aesthetics are important, but uncompromised, high output performance is required, the SI-821/R and SI-821C/R team will not disappoint. Dynamic, capable and elegant.



SI-821/R

SI-821C/R

The SI-821/R and SI-821C/R have performance characteristics very similar to their larger SI-831/R model sibling with the visual benefit of a smaller footprint. The SI-821C/R employs two 8-inch aluminum cone woofers and our largest AMT tweeter in an MTM driver alignment. It is capable of producing reference-level dynamic range with ultimate fidelity in large home theaters or listening rooms. Combine with our SI Subs for a impactful, exciting total theater experience.

SI-SERIES IN-WALL Speaker

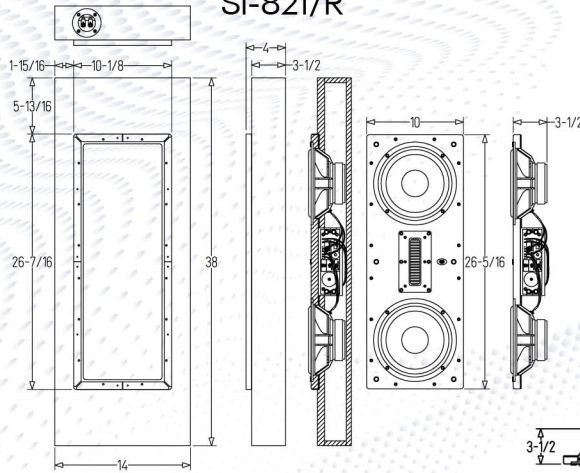
- Proprietary damped, aluminum drivers
- Heavily braced, HDF cabinet built in USA, sized to fit between 16" OC wall studs or on-wall.
- Tweeter protection circuitry is incorporated to prevent driver damage if over driven
- multiple options in the SI series are designed for wide range of requirements and installations
- series options include in-wall and on wall



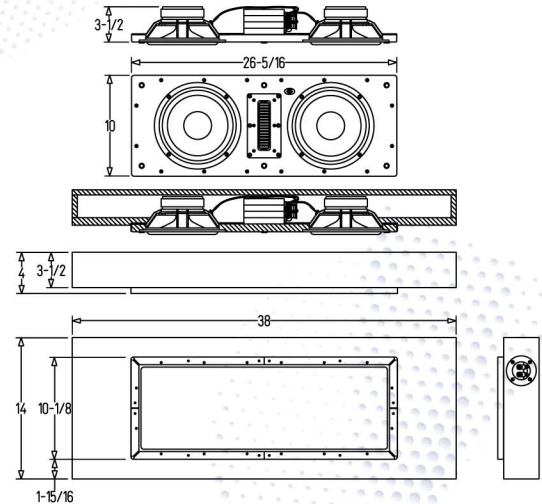
*Limited 10 Year Warranty (with registration) from date of purchase to be free from defects and workmanship. For more information contact your RBH dealer or check our website.

It is RBH Sound policy to continuously incorporate improvements into products; all specifications are subject to change without notice. For the most current information visit us online at <https://rbhsound.com>. Copyright ©2023 RBH Sound. All Rights Reserved.

SI-821/R



SI-821C/R



MODEL NAME:	SI-821/R	SI-821C/R
SYSTEM TYPE:	Sealed / LCR 2-way Speaker	Sealed / LCR 2-way Speaker
SERIES:	Signature Reference Series In-wall Speaker	Signature Reference Series In-wall Speaker
FREQUENCY RESPONSE:	55Hz-35kHz (±3dB)	55Hz-35kHz (±3dB)
SENSITIVITY:	92dB (2.83 Volts @ 1 Meter)	92dB (2.83 Volts @ 1 Meter)
RECOMMENDED POWER:	100-300 Watts	100-300 Watts
DRIVE UNITS:	(2) 8" (200mm) Reference Aluminum Cone, (1) AMT Super Tweeter	(2) 8" (200mm) Reference Aluminum Cone, (1) AMT Super Tweeter
TWEETER PROTECTION:	Yes	Yes
CROSSOVER FREQUENCY:	2200Hz	2200Hz
CROSSOVER SLOPE:	24dB/Octave	24dB/Octave
IMPEDANCE:	4 Ω	4 Ω
CABINET:	High Density Fiberboard (HDF) Black Satin Paint	High Density Fiberboard (HDF) Black Satin Paint
GRILLE:	Black or White (fabric)	Black or White (fabric)
BAFFLE DIMENSIONS:	10" W x 26 5/16" H (254 x 660.7mm)	26 5/16" W x 10" H (660.7 x 254mm)
FINISHED DIMENSIONS:	14" W x 38" H x 4" D (355.6 x 965.2 x 101.6mm)	38" W x 14" H x 4" D (965.2 x 355.6 x 101.6mm)
WEIGHT:	36.6 lbs. (16.6 kg)	36.6 lbs. (16.6 kg)
WARRANTY:	*10 Year Limited	*10 Year Limited

Designed, Engineered, Tested and Assembled in USA from American and imported parts
RBH Sound • 382 Marshall Way, Ste A, Layton, Utah • USA • 84041
(801) 543-2200 • <https://rbhsound.com>