

SI-1212/R9

SI series

rbh signature product



REFERENCE IN-WALL SUBWOOFER BUILT-IN POWER WITHOUT COMPROMISE

Heavily braced HDF box

Internal protection circuit

Separate baffle design

Reference aluminum driver

Fabric grille

Your custom installed SI-1212/R9 is a sealed, reference, built-in sub, perfect for music and movies. The sealed design provides a musically linear sound with ultra deep bass.

When room aesthetics are important, but uncompromised performance is your goal, the SI-1212/R9 gives you the best of both worlds. (This sub requires 9" wall depth.)



SI-1212/R9

The SI-1212/R9 is a reference dual 12" non-powered aluminum subwoofer. It is designed to be installed in a baffle wall or between 2x10 studs. The cabinet is installed during framing without the included baffle assembly. Drywall is finished to the metal mud rings. After drywall and painting is complete, the baffle assembly with drivers is installed, leaving a clean presentation of the exposed subwoofer. The SI-1212/R9 is the perfect subwoofer for home theaters, listening rooms or anywhere strong, reference level bass is needed without being seen.

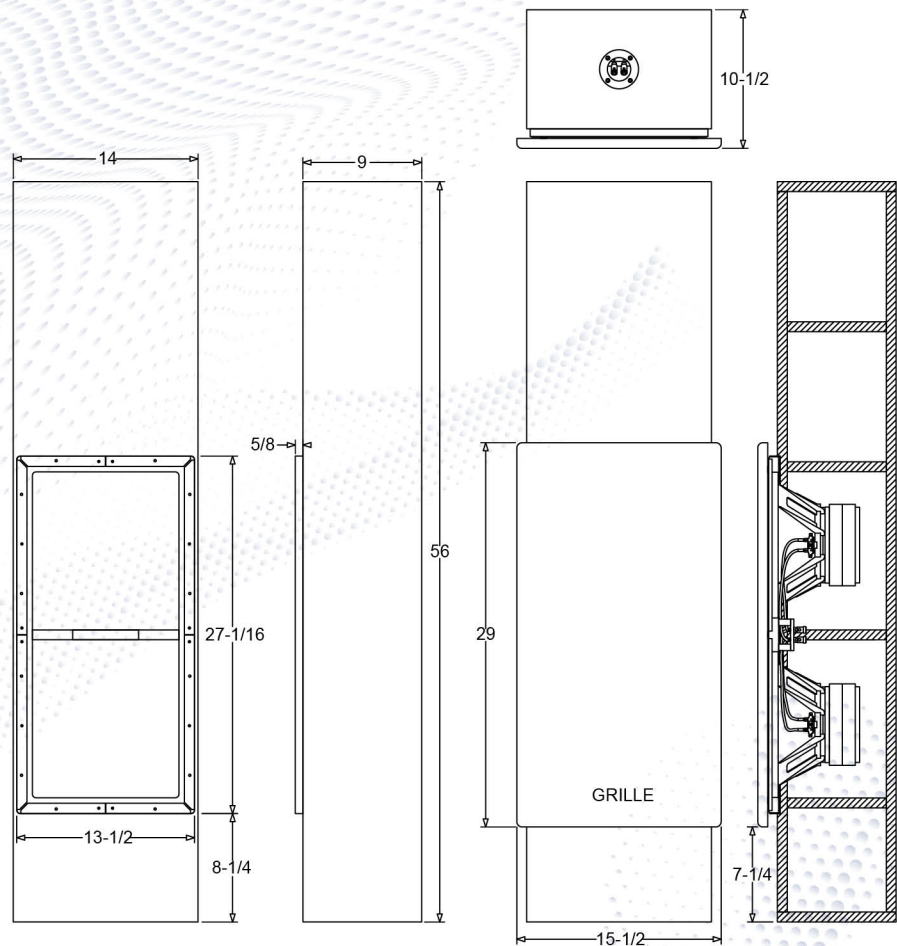
SI-SERIES IN-WALL Subwoofer

- Proprietary damped, high excursion, aluminum subwoofer drivers
- Heavily braced, HDF cabinet made in USA, sized to fit between studs placed 16" on center
- Smart protection circuitry is incorporated to prevent driver damage if over driven
- Separate baffle design allows for cabinet installation during construction without worry of driver damage
- multiple options in the series are designed for wide range of requirements
- series options include in-wall, in-floor and in ceiling

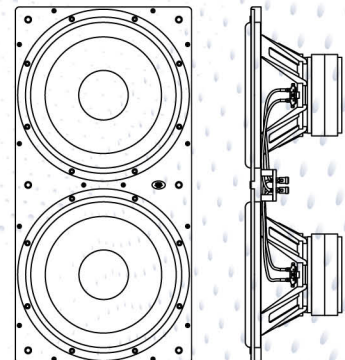


*Limited 10 Year Warranty (with registration) from date of purchase to be free from defects and workmanship. For more information contact your RBH dealer or check our website.

It is RBH Sound policy to continuously incorporate improvements into products; all specifications are subject to change without notice. For the most current information visit us online at <https://rbhsound.com>. Copyright ©2022 RBH Sound. All Rights Reserved.



MODEL NAME:	SI-1212/R9
SYSTEM TYPE:	Sealed, in-wall, non-powered
SERIES:	Signature Reference Series Subwoofers
FREQUENCY RESPONSE:	18Hz-150Hz (±3dB) (when using DA-2602DSP Subwoofer Amplifier) 25Hz-150Hz (±3dB) (with other amps)
SENSITIVITY:	91dB (2.83 Volts @ 1 Meter)
RECOMMENDED POWER:	500-2400 Watts
DRIVE UNITS:	(2) 12" (305mm) Reference Aluminum Cone High Power
AMPLIFIER TYPE:	(requires external amplification)
INPUT CONNECTORS:	Metal Spring Loaded Terminals
COMPONENTS:	In-wall Cabinet, Baffle Assembly, Grille
IMPEDANCE:	4 Ohms
CABINET:	High Density Fiberboard (HDF) Black Satin Paint
GRILLE:	SI-1212/R9 Grille Black or White (fabric)
BAFFLE DIMENSIONS:	13-1/2" W x 27-1/16" H (343mm W x 688mm H)
FINISHED DIMENSIONS:	14" W x 56" H x 10-1/2" D (356mm W x 1423mm H x 267mm D)
WEIGHT:	92 lbs. (42 kg)
WARRANTY:	*10 Year Limited



Designed, Engineered, Tested and Assembled in USA from American and imported parts

RBH Sound • 382 Marshall Way, Ste A, Layton, Utah • USA • 84041
(801) 543-2200 • <https://rbhsound.com>