



REFERENCE IN-CEILING SPEAKER

HIGH QUALITY - QUICK INSTALLATION

Simple install

Dual Ring Radiator
Tweeter

Signature Aluminum Driver



Your project requires high or reference quality sound, in the ceiling. The SI-615 or SI-615/R is the answer for theater or whole-home audio.

Room aesthetics are important, so is high-quality sound for your customers. No need to compromise. Same components as our cabinet speakers, perfect sonic matching!



SI-615

SI-615/R

When only the best will do. Our Signature Series SI-615 in-ceiling speaker features a 6-1/2-inch aluminum cone woofer and a 3/4-inch pivoting ring-radiator tweeter delivering award-winning performance on par with our cabinet models. Stereo listening, home theater, whole house. The SI-615 does it all. For even a higher performance level step up to the AMT tweeter reference version SI-615/R that mates well with all our reference models.

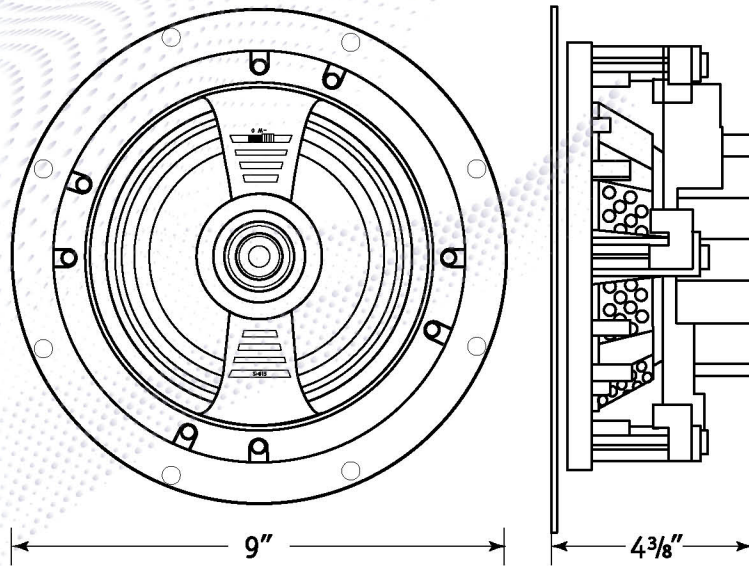
SI-SERIES IN-WALL Speaker

- Proprietary aluminum driver is same spec's as in our cabinet models for seamless voicing
- Tweeter protection circuitry is incorporated to prevent driver damage if over driven
- Swing out dog-leg mounting system for fast, easy installation
- Sound Contour Switches allow sound profile adjustments for optimal performance in any installation situation
- Computer optimized high-quality crossover network
- Micro Perforated paintable magnetically attached white Stainless Steel grille



*Limited Lifetime Warranted, with registration, from date of purchase to be free from defects and workmanship. For more information contact your RBH dealer or check our website.

It is RBH Sound policy to continuously incorporate improvements into products; all specifications are subject to change without notice. For the most current information visit us online at <https://rbhsound.com>. Copyright ©2023 RBH Sound. All Rights Reserved.



	SI-615	SI-615/R
MODEL NAME:	SI-615	SI-615/R
SYSTEM TYPE:	In-Ceiling 2-way Speaker	In-Ceiling 2-way Speaker
SERIES:	Signature Series In-wall / ceiling Speaker	Signature Series Reference In-wall / ceiling Speaker
FREQUENCY RESPONSE:	50Hz-30kHz (±3dB)	50Hz-30kHz (±3dB)
SENSITIVITY:	88dB (2.83 Volts @ 1 Meter)	88dB (2.83 Volts @ 1 Meter)
RECOMMENDED POWER:	15-120 Watts	20-150 Watts
DRIVE UNITS:	(1) 6.5" (165mm) Aluminum Cone (1) 3/4" (19mm) Ring-Radiator (swivel)	(1) 6.5" (165mm) Aluminum Cone (1) Ultra AMT Tweeter (swivel)
TWEETER PROTECTION:	Yes	Yes
CROSSOVER FREQUENCY:	3000Hz	3000Hz
CROSSOVER SLOPE:	12dB/Octave	12dB/Octave
IMPEDANCE:	8 Ohms	6 Ohms
CABINET:	Black frame ABS	Black frame ABS
GRILLE:	Magnetically attached S-Steel (White)	Magnetically attached S-Steel (White)
BAFFLE DIMENSIONS:	N/A	N/A
FINISHED DIMENSIONS:	9" Dia x 4-3/8" D (229mm x 111mm)	9" Dia x 4-3/8" D (229mm x 111mm)
WEIGHT:	3.65 lbs. (1.66kg)	3.65 lbs. (1.66kg)
WARRANTY:	Lifetime Limited*	Lifetime Limited*