

# SV-831/R

# SV series

rbh signature product



## ULTIMATE HIGH-END PERFORMANCE AMT TWEETER & ALUMINUM DRIVERS

Stylish modern cabinet

HDF Construction

Cast Aluminum frame  
Durable NBR Surround

Reference AMT Tweeter

Reference Aluminum  
woofers



**You** want the best? Look no further. This incredible module is built with the highest quality standards in mind and has been carefully tuned in it's inert sealed design.

This sleek, stylish, and beautiful contemporary design is sure to please the most discerning eye. Style meets performance for the best of both worlds.



# SV-831/R

The unbelievable performance of the SV-831R is due to the combination of a dispersion-averaging alignment with RBH's aluminum cone technology. Inheriting the award-winning Signature Series T-1's driver configuration, the mirror-image SV-831R focuses the sound at the listening position for incredible imaging. The SV-831R employs three 8-inch aluminum cone woofers and an AMT tweeter and is designed to be placed atop any of the four SV-1212 subwoofer models. When combined with an SV-1212 subwoofer, the result is an acoustic experience that is nothing short of astounding. This modular tower system, the SVTR, is capable of handling copious amounts of power while delivering paramount fidelity and performance for even the largest home theater or listening room.

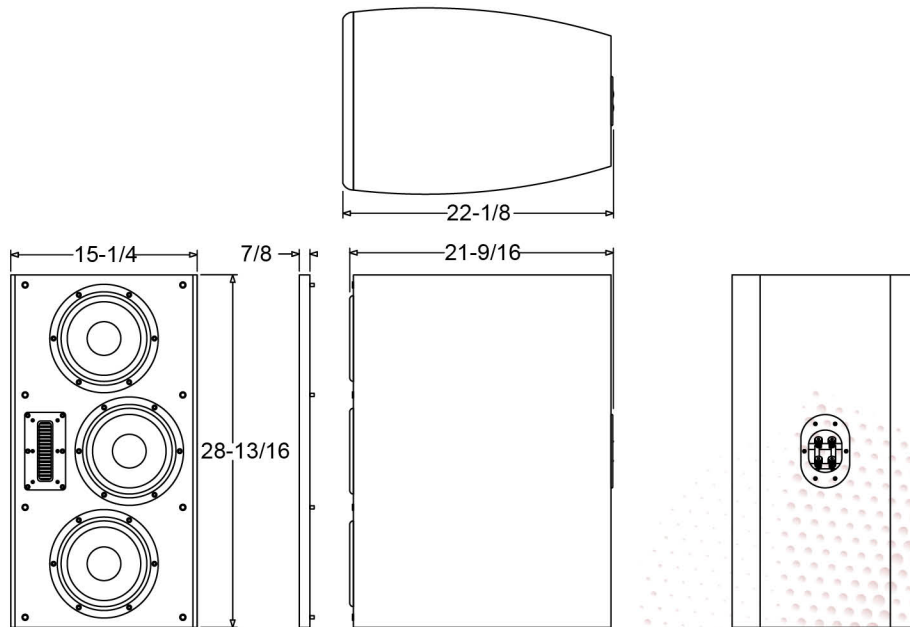
## SV-SERIES Freestanding Modular Towers Ultimate Performance

- Available in black or silver, reference aluminum drivers
- Provides timbre matched options for multi-channel sound across all freestanding, bookshelf, on-wall and in-wall products in the SF, SV or SI-Series
- Constructed from High Density Fiberboard (HDF)
- Available in high gloss black



\*Limited 10 Year Warranty (with registration) from date of purchase to be free from defects and workmanship. For more information contact your RBH dealer or check our website.

It is RBH Sound policy to continuously incorporate improvements into products; all specifications are subject to change without notice. For the most current information visit us online at <https://rbhsound.com>. Copyright ©2023 RBH Sound. All Rights Reserved.



Model	SV-831/R
SYSTEM TYPE	Freestanding Loudspeaker
FREQUENCY RESPONSE	50Hz-35kHz
SENSITIVITY <small>(2.83V @ 1Meter)</small>	93dB
RECOMMENDED POWER	100-500 Watts
DRIVE UNITS	1x AMT Tweeter, 3x 8" Aluminum Woofers
TWEETER PROTECTION	Yes
CROSSOVER FREQUENCY	2200Hz
CROSSOVER SLOPE	24dB/Octave
IMPEDANCE	4Ω
CABINET/ COLOR	High Gloss Black
GRILLE	High Quality Black Cloth
WEIGHT	92 lbs (41.7 kg)
FINISHED DIMENSIONS	28-3/16" x 15-1/4" x 22-1/8" (716 x 387 x 562mm)
WARRANTY	*10 Year Limited

Designed, Engineered, Tested and Assembled in USA

RBH Sound • 382 Marshall Way, Ste A, Layton, Utah • USA • 84041  
(801) 543-2200 • <https://rbhsound.com>