

SV-1212P/R | SV-1212N/R

SV series

rbh signature product



REFERENCE DUAL 12" SUBWOOFER

AUDIOPHILE BASS AT ITS MUSICAL BEST



8-coat polyester piano black finish

Passive or active

Size matched to stack w/ SV-831R

Reference 12" black or silver aluminum driver

Down firing port



You need an extreme bedrock of subsonic tones at the core of your elite audio system. The SV-1212 provides the necessary foundation to bring out the best in HiFi stereo or home theater.

Tuned to 20Hz, this beautiful, curved cabinet houses high-excursion aluminum drivers with musical prowess, and bone crushing intensity. Available in powered and passive configurations.



SV-1212P/R SV-1212N/R

The SV-1212P/R is a powered version of the SV1212 subwoofer that integrates dual 12-inch reference aluminum cone subwoofers with a 6" down-firing vent and a highly efficient **2,400 Watt power amplifier**. The SV-1212P/R boasts overwhelmingly deep and stalwart bass with clarity and precision not typically found in subwoofers capable of such high output levels. The SV-1212P/R is the flagship subwoofer of the Signature SV Series and comes in an unparalleled 8-coat polyester piano black finish.

Want to provide your own power? The SV-1212N/R is the answer. Power with your own favorite amplifier to further customize your experience with RBH Sound.

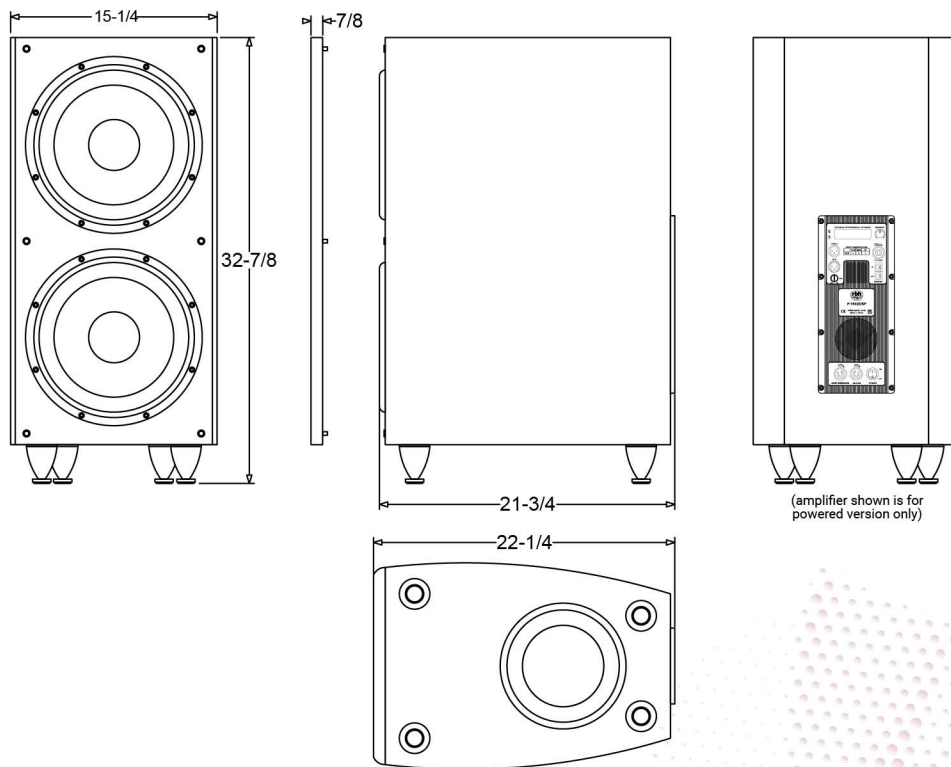
SV-SERIES Freestanding Modular Towers Ultimate Performance

- Available in black or silver, reference aluminum drivers
- Provides timbre matched options for multi-channel sound across all freestanding, bookshelf, on-wall and in-wall products in the SF, SV or SI-Series
- Constructed from High Density Fiberboard (HDF)
- Available in high gloss black



*Limited 10 year sub and components, 3 year amplifier warranty (with registration) from date of purchase to be free from defects and workmanship. For more information contact your RBH dealer or check our website.

It is RBH Sound policy to continuously incorporate improvements into products; all specifications are subject to change without notice. For the most current information visit us online at <https://rbhsound.com>. Copyright ©2023 RBH Sound. All



Model	SV-1212P/R	SV-1212N/R
SYSTEM TYPE	Freestanding Powered Subwoofer	Freestanding Passive Subwoofer
FREQUENCY RESPONSE	20Hz-150Hz	20Hz-150Hz
SENSITIVITY <small>(2.83V @ 1 Meter)</small>	93dB	94dB
AMPLIFIER POWER	2400 Watts	N/A (RBH DA-2602DSP recommended)
DRIVE UNITS	(2) 12" Aluminum Subwoofers	(2) 12" Aluminum Subwoofers
PHASE CONTROL	0°-180° (variable)	0°-180° (variable)
CROSSOVER FREQUENCY	40Hz-150Hz (variable)	40Hz-150Hz (variable)
CROSSOVER SLOPE	12dB/Octave	12dB/Octave
IMPEDANCE	4Ω	4Ω
CABINET/ COLOR	High Gloss Black	High Gloss Black
GRILLE	High Quality Black Cloth	High Quality Black Cloth
WEIGHT	103 lbs (46.72 kg)	99 lbs (44.9 kg)
FINISHED DIMENSIONS	32-7/8" H x 15-1/4" W x 22-1/4" D (835 x 387 x 565mm)	32-7/8" H x 15-1/4" W x 21-3/4" D (835 x 387 x 552mm)
WARRANTY	*Limited 10 Year Sub, 3 year Amp	*10 Year Limited

Designed, Engineered, Assembled and Tested in our USA facility

RBH Sound • 382 Marshall Way, Ste A, Layton, Utah • USA • 84041
(801) 543-2200 • <https://rbhsound.com>