

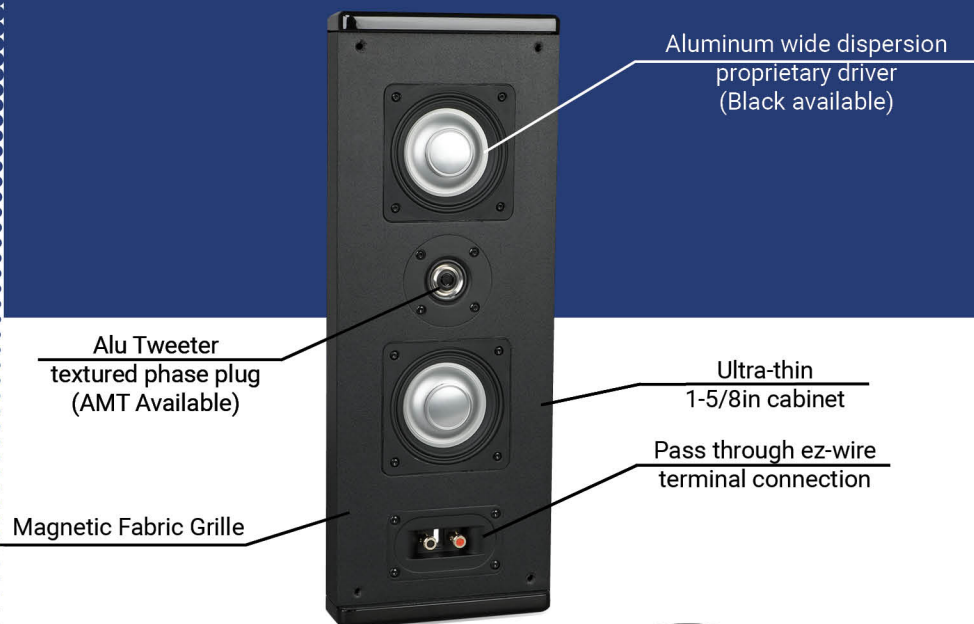
ULTRA-1

SW series

by **rbh** Sound



VERSATILE SLIM ON-WALL EASY WHOLE-HOME SOLUTION



You need a discreet sound solution that does not required holes in walls. The chic, thin, Ultra-1 on-wall for LCR, surround or whole-home is it!

Alu dome or AMT tweeters and proprietary mid/woofer drivers specifically designed for thin cabinets. Pass through wiring and quick on-wall mounting for fast, convenient installs.



ULTRA-1

This versatile on-wall speaker is the answer to many installation conundrums. It's sleek, contemporary design with a magnetic mounted black fabric grille complements most any décor. At only 1-5/8-inches thick, 18-inches tall and just over 6½-inches wide, it fits almost anywhere you can pull a wire through a wall. The pull-through ez-wire terminal cup makes connection a breeze. Add the features of either traditional mounting using the installed steel keyhole cups in back, or the fast and highly secure screw-through front mounts and you will soon find that this chic on-wall is easily and quickly installed. The Ultra-1 provides true and clear RBH sound quality in locations previously unobtainable and can be used for theaters, gaming rooms or whole-home sound. These can be places such as cement, plastered, block or brick walls, or the rental that won't allow holes cut to mount a traditional in-wall. Install the Ultra3-SW LCR on-wall along with Ultra-1 as surrounds and rear-effects plus an RBH subwoofer or two for complete full-range performance and you've got a surround-sound system ready to go in minutes. The proprietary inverted aluminum black or silver cone 4-inch woofers and aluminum tweeters with textured phase plugs are the innovations that enable such a thin cabinet. AMT tweeter also available. You'll be amazed.

SIGNATURE ON-WALL ULTRA SERIES

- Satin black with gloss end-caps
- Magnetic Fabric Grille
- Easy pass-through front wiring
- Includes mounting hardware

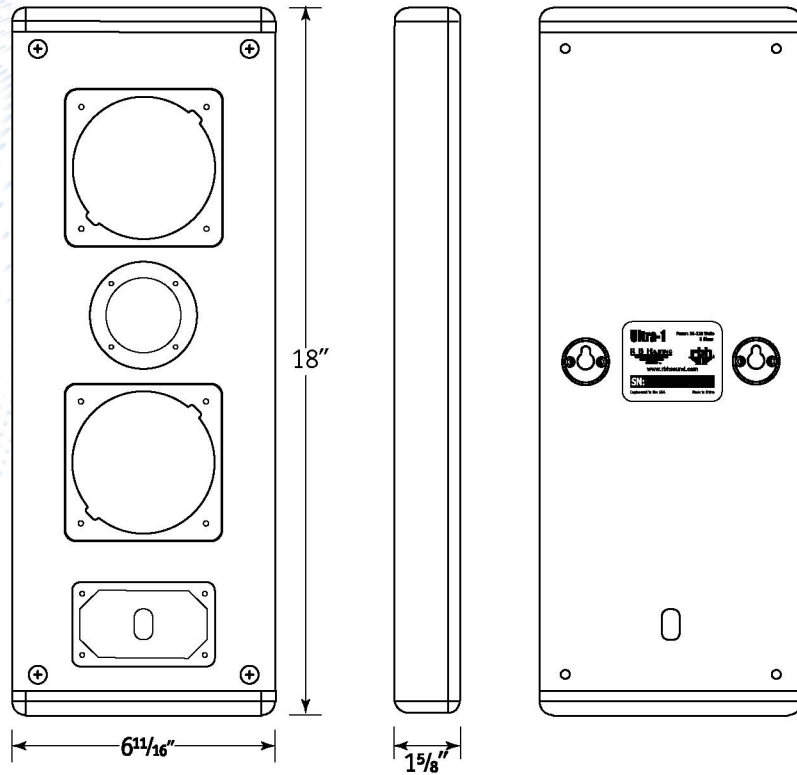


*Limited 10 year Warranty (with registration) from date of purchase to be free from defects and workmanship. For more information contact your dealer or RBH Sound.

It is RBH Sound policy to continuously incorporate improvements into products; all specifications are subject to change without notice.

For the most current information visit us online at <https://rbhsound.com>.

Copyright ©2023 RBH Sound. All Rights Reserved.



Mode	ULTRA-1
SYSTEM TYPE	Signature On-wall Speaker Bar
FREQUENCY RESPONSE	100Hz-20kHz (30kHz AMT) (± 3dB)
SENSITIVITY <small>(2.83V @ 1 Meter)</small>	84 dB
RECOMMENDED POWER	20-120 Watts
DRIVE UNITS	(1) 1" (25mm) Aluminum Diaphragm w/phase plug OR .8" X 1" (20mm x 20mm) AMT Tweeter (2) 4" (102mm) Proprietary Inverted Black or Silver Aluminum Cone
TWEETER PROTECTION	Yes
CROSSOVER FREQUENCY	3,000 Hz
CROSSOVER SLOPE	12dB/Octave
IMPEDANCE	8Ω
CABINET/ COLOR	MDF construction, Satin Black. gloss end-caps
GRILLE	Black Fabric
WEIGHT	3.85 lbs (1.75kg)
FINISHED DIMENSIONS	6-11/16" W x 18" H x 1-5/8" D (170mm W x 457mm H x 41mm D)
WARRANTY	*10 Year Limited

Designed and Engineered by RBH Sound

RBH Sound • 382 Marshall Way, Ste A, Layton, Utah • USA • 84041
(801) 543-2200 • <https://rbhsound.com>