

821C-SW/R

SW series

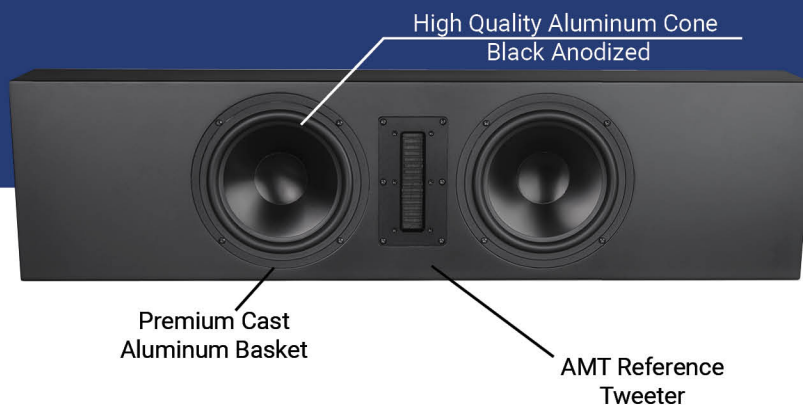
rbh signature product



SIGNATURE REFERENCE ON-WALL HIGH-OUTPUT CENTER CHANNEL!

Your larger theater requires a commanding center channel! The RBH 821C-SW/R is the solution when you demand nothing but the best.

From the ease of the french cleat system to the clean look of the fabric grilles, the 821C-SW/R will impress with ease of installation and stylish finish for that bold sound and minimalistic look.



821C-SW/R

The 821C-SW/R has performance characteristics very close to their larger 831 model siblings with the visual benefit of a smaller footprint. The 821C-SW/R uses two 8-inch aluminum cone woofers and a large high-quality AMT aero-striction tweeter in a MTM driver alignment and is capable of producing reference level dynamic range with ultimate fidelity in large home theaters or listening rooms. Combine this high-output center channel with the RBH 821-SW/R for a extremely dynamic full surround theater system.

For ultimate impact check out the RBH S and SI Subwoofer models to complement and complete your dream home theater that will leave you, your family and guests in awe.

On-Wall-SERIES Signature & Reference

- Black anodized reference aluminum drivers housed in cast aluminum baskets

- Provides timbre matched options for multi-channel sound across all freestanding, bookshelf, on-wall and in-wall products in the SF, SV or SI-Series

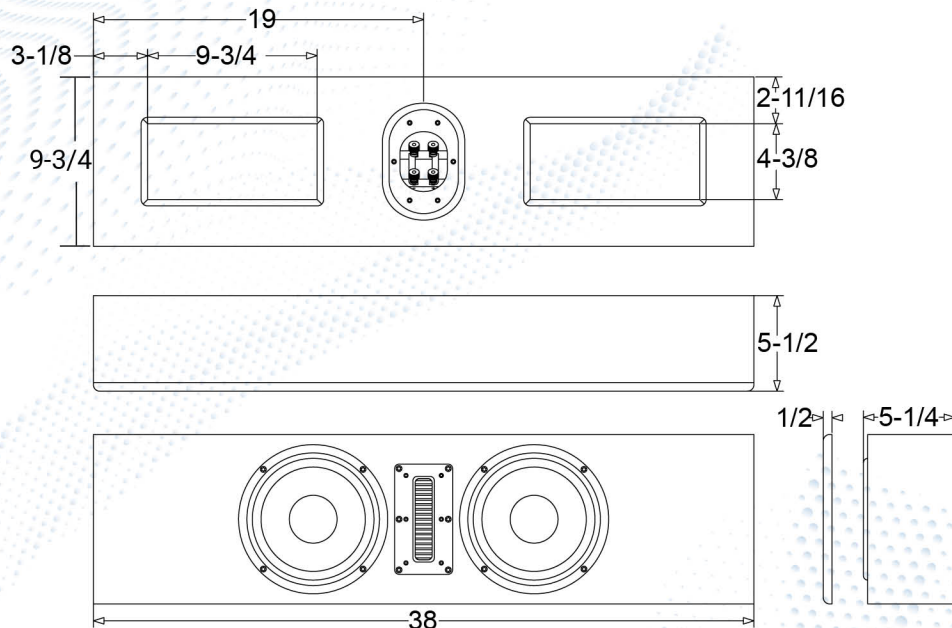
- Cabinet made in USA of High Density Fiberboard (HDF)

- Available in satin black or white



*Limited 10 Year Warranty (with registration) from date of purchase to be free from defects and workmanship. For more information contact your RBH dealer or check our website.

It is RBH Sound policy to continuously incorporate improvements into products; all specifications are subject to change without notice. For the most current information visit us online at <https://rbhsound.com>. Copyright ©2023 RBH Sound. All Rights Reserved.



Model	821C-SW/R
SYSTEM TYPE	Signature Reference On-wall Loudspeaker
FREQUENCY RESPONSE	55Hz-35kHz ± 3dB
SENSITIVITY <small>(2.83V @ 1 Meter)</small>	92 dB
RECOMMENDED POWER	100-300W
DRIVE UNITS	(2) 8" (203mm) cast aluminum basket, black anodized aluminum cone woofers. (1) 4.72" x 1" (120mm x 25mm) AMT Tweeter
TWEETER PROTECTION	Yes
CROSSOVER FREQUENCY	2200Hz
CROSSOVER SLOPE	24dB/Octave, 12 dB/Octave
IMPEDANCE	4 Ω
CABINET / COLOR	HDF construction, Satin Black or White
GRILLE	Black or White Cloth mag-attached
WEIGHT	45 lbs (20.4 kg)
FINISHED DIMENSIONS	38" W x 9-3/4" H x 5-1/2" D (965 W x 248 H x 140 D mm)
WARRANTY	*10 Year Limited

Designed, Engineered, Tested and Assembled in USA from American and imported parts

RBH Sound • 382 Marshall Way, Ste A, Layton, Utah • USA • 84041
Phone: (801) 543-2200 • <https://rbhsound.com>