

VA-414 | VM-414

Visage series

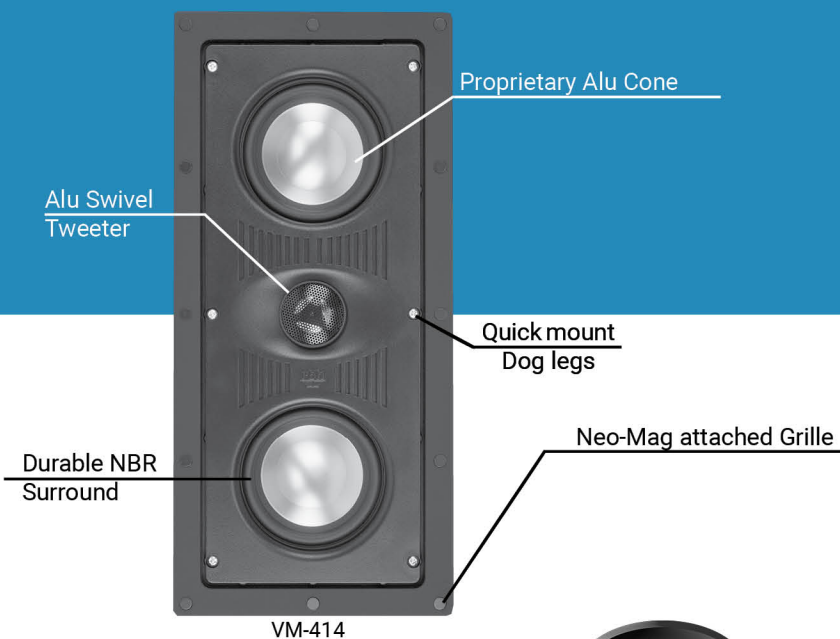
by **rbh** Sound



VA-414

Stainless Steel Grille
White or Black

AFFORDABLE ARCHITECTURAL LCR or WHOLE SYSTEM CAPABLE



VM-414

You require a sophisticated yet affordable in-wall LCR speaker. The RBH VA-414 and VM-414 are excellent choices. They can also serve as entire system or whole-home solution.

Fast, easy installation. Paintable stainless steel magnetically attached grilles can blend your speakers into your color scheme to almost make them disappear.



VA-414 VM-414

A great dual 4-inch MTM in-wall speaker for budget home theaters and listening rooms, the VA-414's slim design allows for horizontal installation between 16-inch on-center wall framing and also complete surround duty with just one model! The two polygraphite cone 4-inch woofers and 1-inch silk dome swivel tweeter provide faithful and articulate sonic reproduction. Swing out dog-leg mounting system with pre-started screws for fast and easy installation. Self resetting Polyswitch protection circuitry designed to protect the tweeter from being over driven. Despite its small size, the dual 4-inch aluminum cone woofers and 1-inch aluminum dome swivel tweeter in the VM-414 pack a mighty punch! The configuration results in high power handling and a focused dispersion pattern. The VM-414 works particularly well as a center channel due to its brilliant clarity and small profile.

VISAGE-SERIES
In-wall
In-ceiling
Architectural

- Magnetically attached paintable Stainless Steel grille allows concealment and no worries about rust or discoloration.

- Provides timbre matched options for multi-channel sound across all the RBH Visage line.

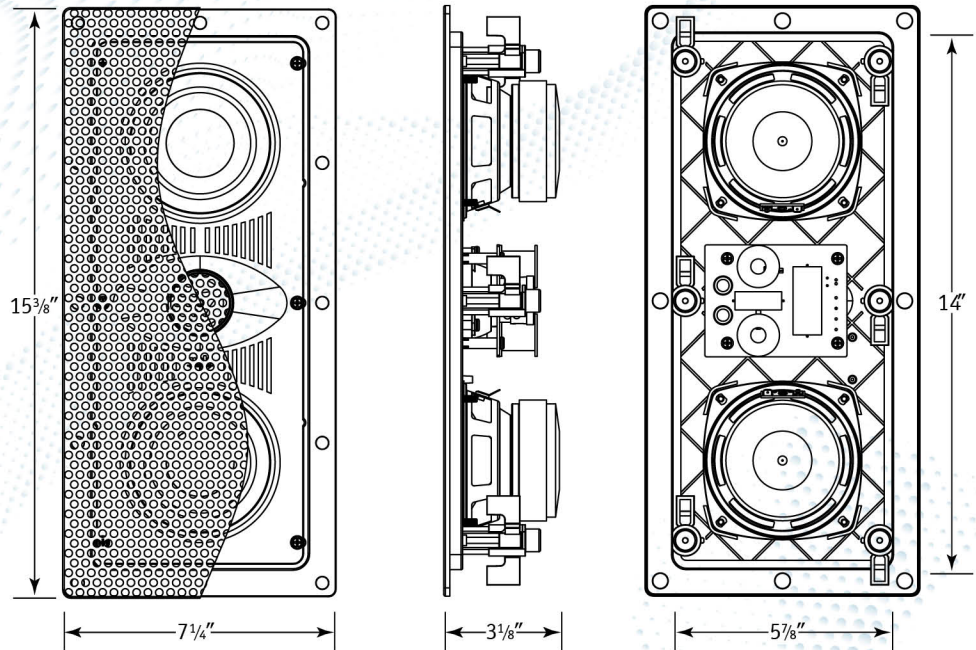
- Available accessories NCB-414, BP-414 and FB-W make installation easy. Please check website or contact your dealer for details.



*Lifetime Limited Warranty (with registration) from date of purchase to be free from defects and workmanship. For more information contact your RBH dealer or check our website.

It is RBH Sound policy to continuously incorporate improvements into products; all specifications are subject to change without notice. For the most current information visit us online at <https://rbhsound.com>. Copyright ©2023 RBH Sound. All Rights Reserved.

VA-414



Model	VA-414
SYSTEM TYPE	Architectural Loudspeaker
FREQUENCY RESPONSE	60Hz-20kHz ± 3dB
SENSITIVITY <small>(2.83V @ 1 Meter)</small>	90dB
RECOMMENDED POWER	10-100 Watts
DRIVE UNITS	(1) Soft Dome Tweeter, (2) 4" Polygraphite Woofers
TWEETER PROTECTION	Yes, self resetting poly-switch
CROSSOVER FREQUENCY	4000Hz
CROSSOVER SLOPE	12dB/Octave
IMPEDANCE	6Ω
CABINET/ COLOR	Borderless Magnetic Frame
GRILLE	White Stainless-Steel (available in black)
WEIGHT	5.75 lbs. (2.61 kg)
FINISHED DIMENSIONS	7-1/4" x 15-3/8" x 3-1/8" (184 x 391 x 79mm)
WARRANTY	*Lifetime Limited

Model	VM-414
SYSTEM TYPE	Architectural Loudspeaker
FREQUENCY RESPONSE	55Hz-20kHz ± 3dB
SENSITIVITY <small>(2.83V @ 1 Meter)</small>	91dB
RECOMMENDED POWER	15-150 Watts
DRIVE UNITS	(1) Aluminum Dome Tweeter, (2) 4" Aluminum Woofers
TWEETER PROTECTION	Yes, self resetting poly-switch
CROSSOVER FREQUENCY	3500Hz
CROSSOVER SLOPE	12dB/Octave
IMPEDANCE	6Ω
CABINET/ COLOR	Borderless Magnetic Frame
GRILLE	White Stainless-Steel (available in black)
WEIGHT	5.75 lbs. (2.61 kg)
FINISHED DIMENSIONS	7-1/4" x 15-3/8" x 3-1/8" (184 x 391 x 79mm)
WARRANTY	*Lifetime Limited