

VA-600

Visage series

by **rbh** Sound

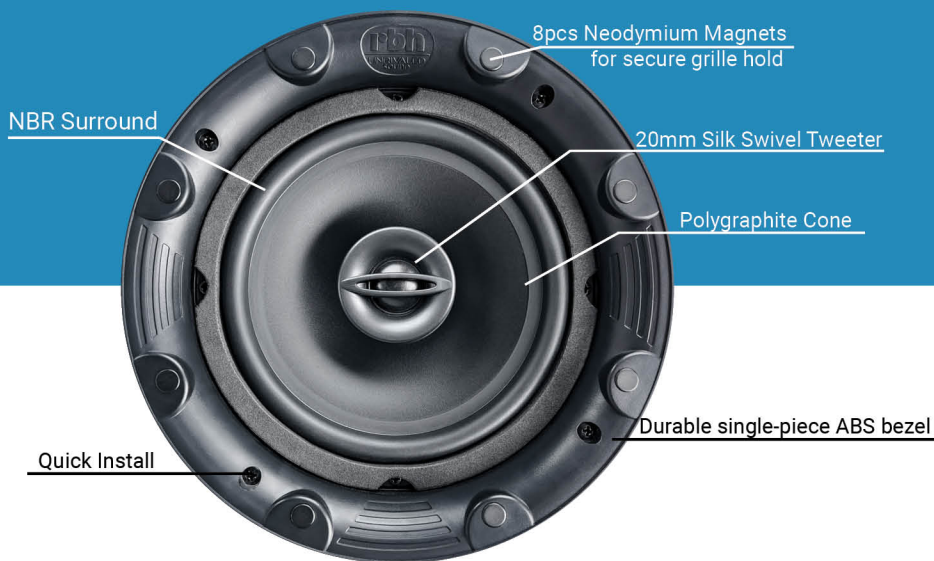


Black and White
Round or Square
grilles available

AFFORDABLE ARCHITECTURAL DEPENDABLE WHOLE-HOME AUDIO

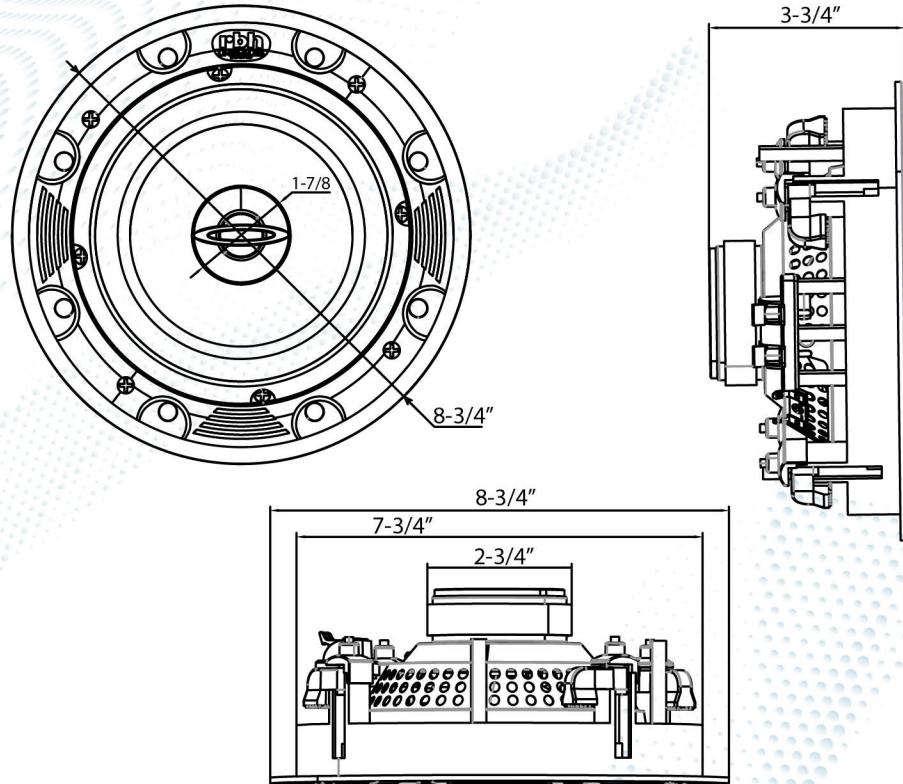
When you need the best economical solution, look no further. The RBH VA-600 is the first tier in our renowned RBH Visage speaker line.

Whether you need dependable whole-home audio, or a gaming room, small theater or just for those certain areas that could use a bit of audio finesse, the VA-600 will elevate your experience.



VA-600

The VA-600 in-ceiling speaker represents the perfect blend of performance and value. Featuring a 6½-inch polygraphite woofer and a ¾-inch (20mm) pivoting silk dome tweeter, the VA-600 is the ideal complement to budget-conscious multi-room and whole-house audio systems where the high-quality sound of RBH is essential. Even though this is our most affordable Visage in-ceiling speaker it is not short on quality features such as 8pcs of neodymium magnets to securely hold the stainless-steel grille, also a self-resetting poly-switch to protect the tweeter. One piece durable ABS bezel. Steel basket. NBR surround. All the features our Visage line is famous for. You will be amazed at how well our VA-600 will enhance your audio entertainment experience.



VISAGE-SERIES
In-wall
In-ceiling
Architectural

- Magnetically attached paintable Stainless Steel round or square grilles in White or Black, allow concealment and no worries about rust or discoloration.

- Available accessories NCB-6R, FB-C6, BP-6R, BC-6R and BC-6RS make installation easy. Please check website or contact your dealer for details.



*Lifetime Limited Warranty (with registration) from date of purchase to be free from defects and workmanship. For more information contact your RBH dealer or check our website.

It is RBH Sound policy to continuously incorporate improvements into products; all specifications are subject to change without notice. For the most current information visit us online at <https://rbhsound.com>. Copyright ©2023 RBH Sound. All Rights Reserved.

Model	VA-600
SYSTEM TYPE	Architectural Loudspeaker
FREQUENCY RESPONSE	80Hz-20kHz ± 3dB
SENSITIVITY <small>(2.83V @ 1 Meter)</small>	90dB
RECOMMENDED POWER	10-75 Watts
DRIVE UNITS	(1) ¾" Soft Dome Tweeter, (1) 6.5" Polygraphite Woofer
TWEETER PROTECTION	Yes, self resetting poly-switch
CROSSOVER FREQUENCY	3000Hz
CROSSOVER SLOPE	6dB/Octave
IMPEDANCE	8Ω
CABINET/ COLOR	Borderless Magnetic Frame
GRILLE	White Stainless-Steel (available in black and square)
WEIGHT	2.125lbs (0.96kg)
FINISHED DIMENSIONS	8-7/8" Dia x 3-7/8" D with grille (226mm Dia x 98mm D)
WARRANTY	*Lifetime limited