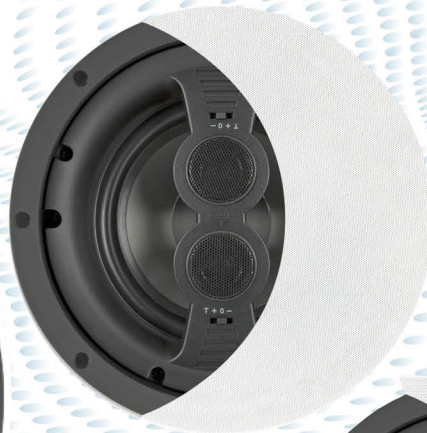


# VA-615DS

# Visage series

by **rbh** Sound



VA-615DS White or Black  
Stainless Steel Grille

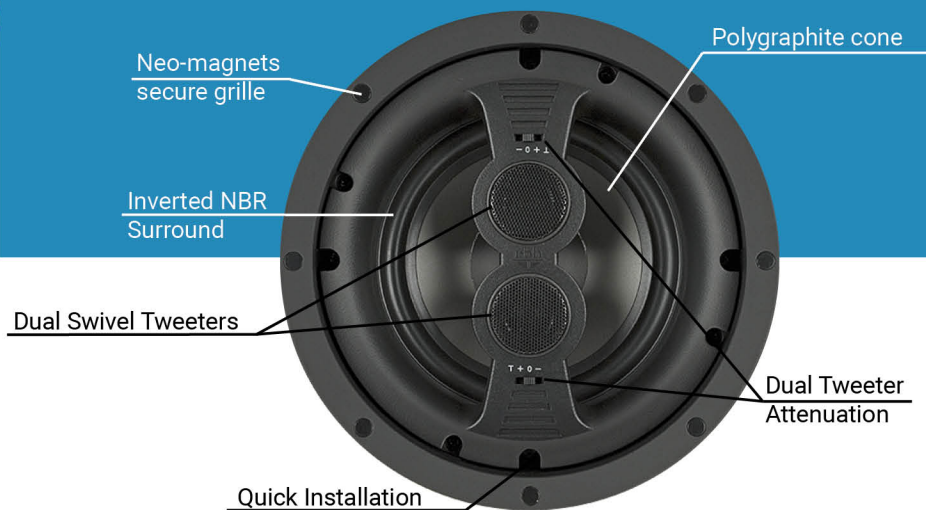


White or Black  
Square Grille available

## PREMIUM ARCHITECTURAL SINGLE POINT / SURROUND CAPABLE

You need a single-point stereo speaker and a budget friendly surround. Visage VA-615DS is both! Dual swivel tweeters with individual sound contouring switches to dial in the perfect sound.

Fast, easy installation. Paintable stainless steel magnetically attached grilles can blend your speakers into your color scheme to almost make them disappear.



# VA-615DS

The VA-615DS, with the inconspicuous Visage design, is a multi-purpose in-ceiling speaker that combines the superb performance of the VA-615 with the convenience of a multi-channel design. As a whole-house audio speaker, the dual-channel VA-615DS provides both left and right channels from one speaker for smaller rooms, hallways or for budget-conscious installations. In home theaters, the VA-615DS can be utilized as a di-/bi-polar surround speaker, providing an enveloping surround experience from its discreet location. For installations where surround speaker locations are highly limited; a pair of VA-615DS' can be positioned and configured to broadcast both the side and rear-effects channels of a home theater system creating a full 7.1 surround experience.

Combine with the VA-615L or any of our other VA version Visage models for seamless integration. Add your choice from the RBH SI family of subwoofers to complete your virtually invisible home

## VISAGE-SERIES In-wall In-ceiling Architectural

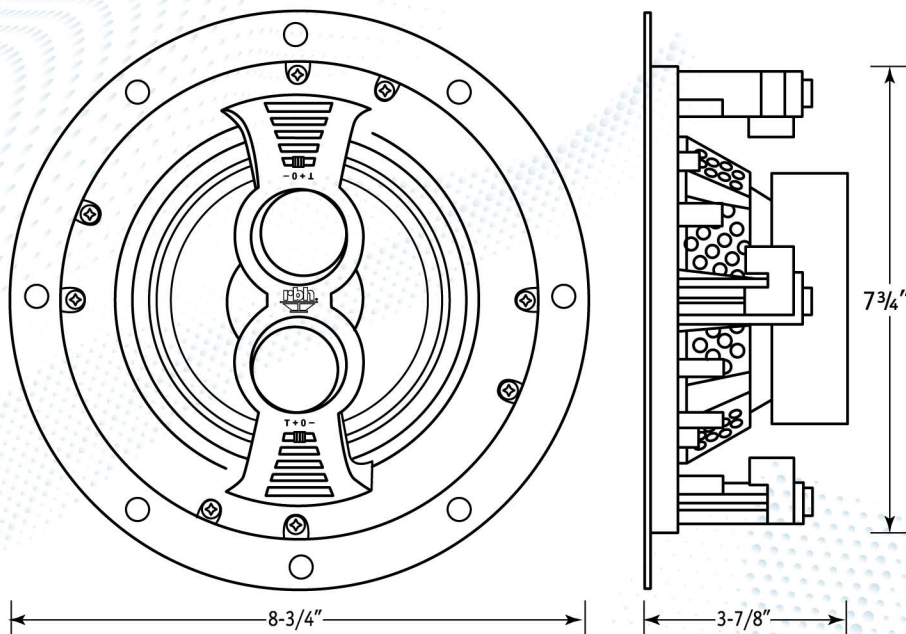
- Magnetically attached paintable Stainless Steel grilles in White or Black also square, allow concealment and no worries about rust or discoloration.

- Available accessories NCB-6R, FB-C6, BP-6R and BC-6R (with slight adjustment) make installation easy. Please check website or contact your dealer for details.



\*Lifetime Limited Warranty (with registration) from date of purchase to be free from defects and workmanship. For more information contact your RBH dealer or check our website.

It is RBH Sound policy to continuously incorporate improvements into products; all specifications are subject to change without notice. For the most current information visit us online at <https://rbhsound.com>. Copyright ©2023 RBH Sound. All Rights Reserved.



Model	VA-615DS
SYSTEM TYPE	Architectural 2-way Dual Channel
FREQUENCY RESPONSE	55Hz-20kHz ± 3dB
SENSITIVITY (2.83V @ 1Meter)	90dB
RECOMMENDED POWER	10-80 Watts
DRIVE UNITS	(2) 3/4" Soft Dome Tweeters, (1) 6.5" Polygraphite DVC Woofer
TWEETER PROTECTION	Yes, self resetting poly-switch
CROSSOVER FREQUENCY	3000Hz
CROSSOVER SLOPE	12dB/Octave
IMPEDANCE	8Ω x2
CABINET/ COLOR	Borderless Magnetic Frame
GRILLE	White Stainless Steel (black & square available)
WEIGHT	3.25 lbs (1.48kg)
FINISHED DIMENSIONS	8-7/8" Dia x 3-7/8" D (226 Dia x 98mm D) with grille
WARRANTY	*Lifetime Limited

RBH Sound • 382 Marshall Way, Ste A, Layton, Utah • USA • 84041  
(801) 543-2200 • <https://rbhsound.com>