

VA-615L | VM-615L

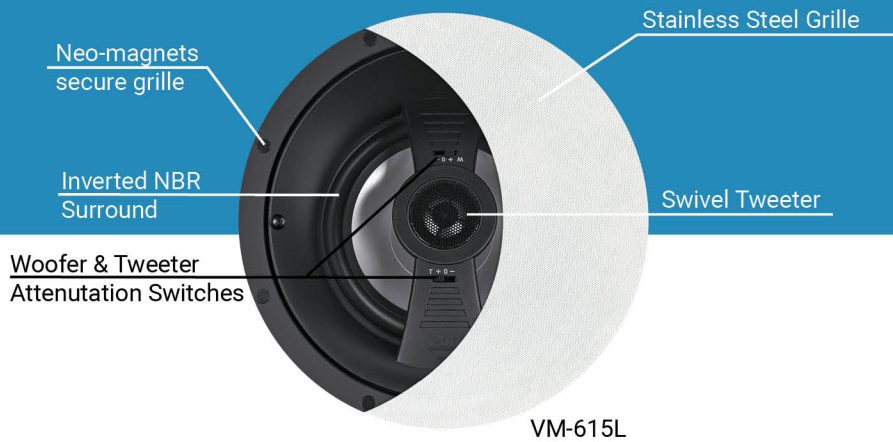
Visage series

by **rbh** Sound



VA-615L White or optional  
Black Stainless Steel Grille

## AFFORDABLE ARCHITECTURAL CEILING THEATER OPTIONS



**You** require your theater in-ceiling and need accurate LCR, side and rear effects sound with price options. The Visage VA-615L and VM-615L are the fit you need. Great for gaming rooms too!

Fast, easy installation. Paintable stainless steel magnetically attached grilles can blend your speakers into your color scheme to almost make them disappear.



# VA-615L VM-615L

The VA-615L and VM-615L, with inconspicuous Visage design, are engineered specifically for in-ceiling home theater systems. The 15-degree fixed offset 6½-inch woofer and 1-inch pivoting tweeter in each allow them to be pointed directly at the listening position with extreme precision. The result is impressive in-ceiling home theater performance. They also feature tweeter and woofer output controls to custom tailor to your specific environment. With easy installation combined with our other Visage models your complete theater can be quickly completed for your enjoyment.

The VA-615L features our smooth polygraphite cone and soft dome tweeter. An excellent all-around choice. Step up to the VM-615L for quicker response, improved accuracy, depth and higher power handling. Whichever your budget allows, you can't go wrong with either one to complete your discreet theater or gaming room.

VISAGE-SERIES  
In-wall  
In-ceiling  
Architectural

- Magnetically attached paintable Stainless Steel grilles round or square, White or Black, allow concealment and no worries about rust or discoloration.

- Available accessories NCB-6RL, FB-C6 make installation easy. Please check website or contact your dealer for details.

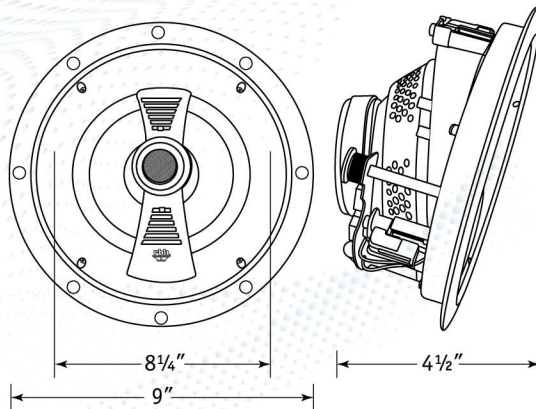


\*Lifetime Limited Warranty (with registration) from date of purchase to be free from defects and workmanship. For more information contact your RBH dealer or check our website.

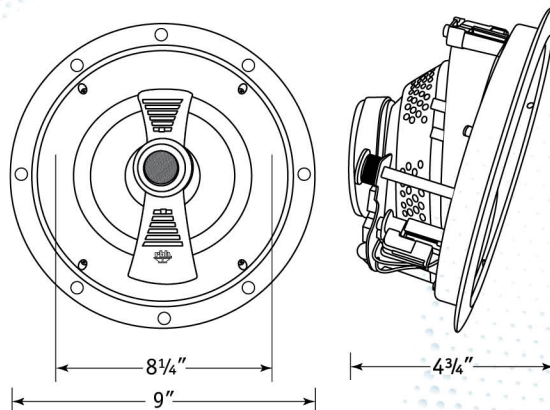
It is RBH Sound policy to continuously incorporate improvements into products; all specifications are subject to change without notice.

For the most current information visit us online at <https://rbhsound.com>. Copyright ©2023 RBH Sound. All Rights Reserved.

## VA-615L



## VM-615L



Model	VA-615L	VM-615L
SYSTEM TYPE	Architectural Loudspeaker	Architectural Loudspeaker
FREQUENCY RESPONSE	55Hz-20kHz ± 3dB	50Hz-20kHz ± 3dB
SENSITIVITY <small>(2.83V @ 1 Meter)</small>	90dB	88dB
RECOMMENDED POWER	10-80 Watts	15-120 Watts
DRIVE UNITS	(1) Soft Dome Tweeter, (1) 6.5" Polygraphite Woofer	(1) Aluminum Dome Tweeter, (1) 6.5" Aluminum Woofer
TWEETER PROTECTION	Yes, self resetting poly-switch	Yes, self resetting poly-switch
CROSSOVER FREQUENCY	3000Hz	3000Hz
CROSSOVER SLOPE	12dB/Octave	12dB/Octave
IMPEDANCE	8Ω	8Ω
CABINET/ COLOR	Borderless Magnetic Frame	Borderless Magnetic Frame
GRILLE	White Stainless-Steel (Black available)	White Stainless-Steel (Black available)
WEIGHT	3.25 lbs (1.48kg)	3.75 lbs (1.70kg)
FINISHED DIMENSIONS	9-1/8" Dia x 4-5/8" D (232 Dia x 118mm D) with grille	9-1/8" Dia x 4-7/8" D (232 Dia x 124mm D) with grille
WARRANTY	*Lifetime Limited	*Lifetime Limited