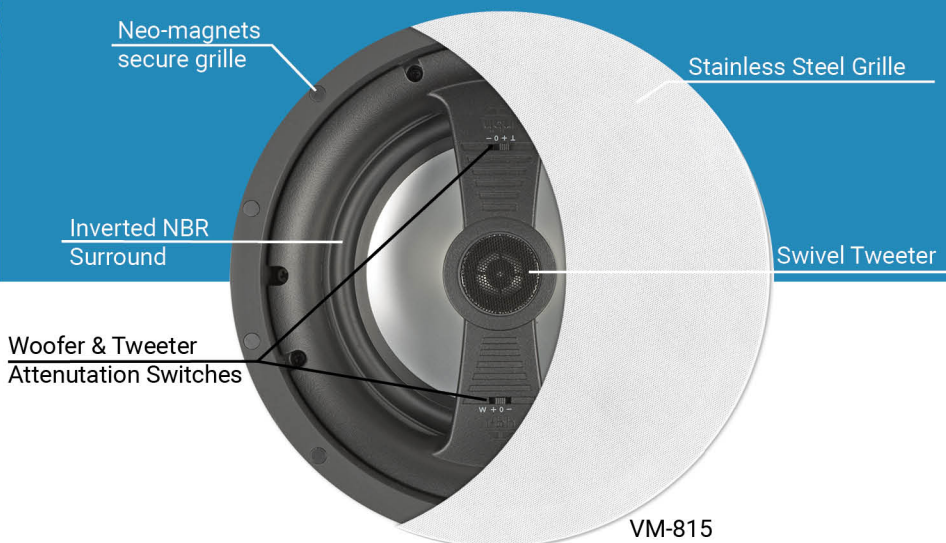


VA-815 White or Black  
Stainless Steel Grille

## PREMIUM ARCHITECTURAL LARGE ROOM AUDIO SOLUTION



**You** require larger room filling sound with price options. The RBH Visage VA-815 and VM-815 are up to the task. Great for whole house or combined with other Visage models for your home theater.

Fast, easy installation. Paintable stainless steel magnetically attached grilles can blend your speakers into your color scheme to almost make them disappear.



# VA-815 VM-815

The VA-815, with its inconspicuous Visage design, utilizes a larger woofer than the VA-615, allowing this budget-friendly speaker to provide extended low frequencies in a larger room. The 8-inch polygraphite cone woofer combined with a 1-inch pivoting soft dome tweeter provides clarity, accuracy, and increased bass performance from its round, flush-trim mounting design.

When you need the deepest bass, quickest response, no compromise in ceiling speaker, the VM-815 will deliver. Combined with the upgrade to aluminum dome tweeter and larger magnet, the VM-815 is capable of higher power handling thus higher output.

Combine either the VA or VM-815 with any of our other Visage models and SI family of subwoofers to complete your virtually invisible home theater.

VISAGE-SERIES  
In-wall  
In-ceiling  
Architectural

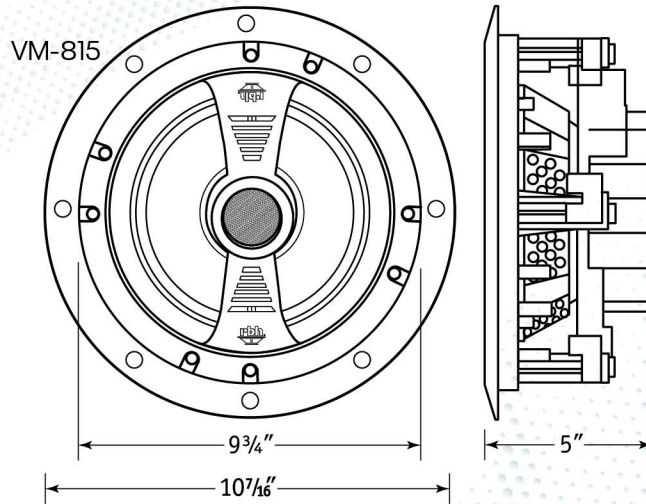
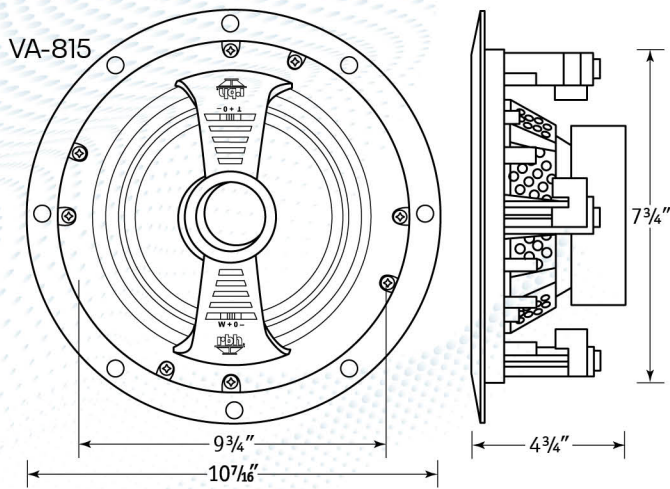
- Magnetically attached paintable Stainless Steel grilles in White or Black, allow concealment and no worries about rust or discoloration.

- Available accessories NCB-8R, FB-C8, BC-8R and BP-8R make installation easy. Please check website or contact your dealer for details.



\*Lifetime Limited Warranty (with registration) from date of purchase to be free from defects and workmanship. For more information contact your RBH dealer or check our website.

It is RBH Sound policy to continuously incorporate improvements into products, all specifications are subject to change without notice. For the most current information visit us online at <https://rbhsound.com>. Copyright ©2023 RBH Sound. All Rights Reserved.



Model	VA-815
SYSTEM TYPE	Architectural Loudspeaker
FREQUENCY RESPONSE	50Hz-20kHz ± 3dB
SENSITIVITY (2.83V @ 1 Meter)	92dB
RECOMMENDED POWER	15-100 Watts
DRIVE UNITS	(1) 1" Soft Dome Swivel Tweeter, (1) 8" Polygraphite Woofer
TWEETER PROTECTION	Yes, self resetting poly-switch
CROSSOVER FREQUENCY	3000Hz
CROSSOVER SLOPE	12dB/Octave
IMPEDANCE	8Ω
CABINET/ COLOR	Borderless Magnetic Frame
GRILLE	White Stainless Steel (available in black)
WEIGHT	4.8 lbs (2.18kg)
FINISHED DIMENSIONS	10-5/8" Dia x 4-7/8" D (270 Dia x 124 D mm) with grille
WARRANTY	*Lifetime Limited

Model	VM-815
SYSTEM TYPE	Architectural Loudspeaker
FREQUENCY RESPONSE	45Hz-20kHz ± 3dB
SENSITIVITY (2.83V @ 1 Meter)	90dB
RECOMMENDED POWER	15-120 Watts
DRIVE UNITS	(1) 1" Alu Swivel Tweeter, (1) 8" Aluminum Woofer
TWEETER PROTECTION	Yes, self resetting poly-switch
CROSSOVER FREQUENCY	3000Hz
CROSSOVER SLOPE	12dB/Octave
IMPEDANCE	8Ω
CABINET/ COLOR	Borderless Magnetic Frame
GRILLE	White Stainless Steel (available in black)
WEIGHT	5.9 lbs (2.68kg)
FINISHED DIMENSIONS	10-5/8" Dia x 5-1/8" D (270 Dia x 130 D mm) with grille
WARRANTY	*Lifetime Limited