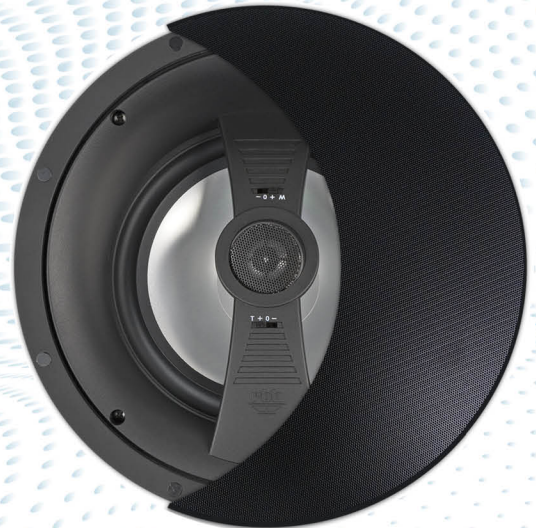


VM-815L

Visage series

by **rbh** Sound



VM-815L White or Black
Stainless Steel Grille

PREMIUM ARCHITECTURAL LARGE ROOM CEILING THEATER!

Neo-magnets
secure grille

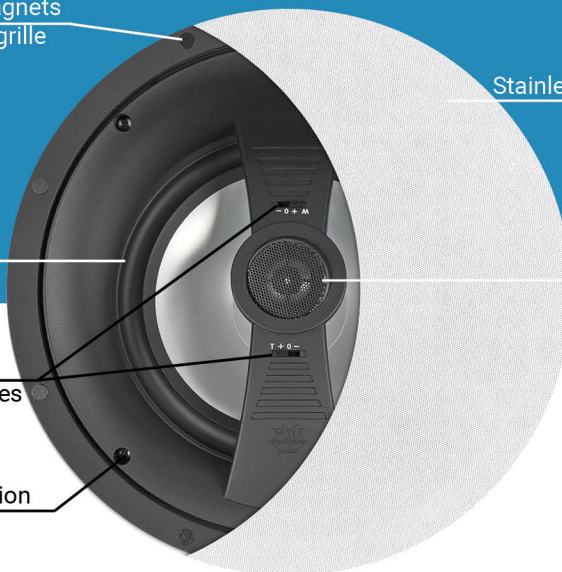
Stainless Steel Grille

Inverted NBR
Surround

Swivel Tweeter

Woofer & Tweeter
Attenuation Switches

Quick Installation



You desire a larger room theater as hidden as possible and mostly in-ceiling. The RBH Visage VA-815L can do it! Combine with other Visage models for your ultimate immersive effect.

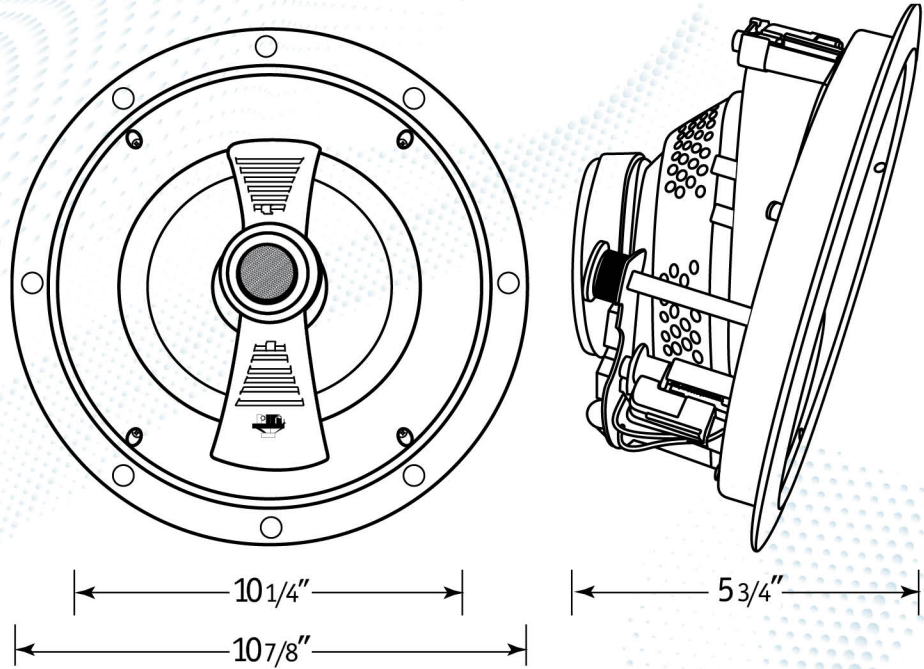
Fast, easy installation. Paintable stainless steel magnetically attached grilles can blend your speakers into your color scheme to almost make them disappear.



VM-815L

The VM-815L, with the inconspicuous Visage design, is designed especially for home theaters. It delivers extended bass performance and extremely accurate high frequencies in a larger room. The 15-degree fixed offset 8-inch aluminum woofer and 1-inch pivoting aluminum dome tweeter allow this speaker to be pointed directly at the listening position for a dramatic in-ceiling home theater performance. The VM-815L features tweeter and woofer output controls, allowing the VM-815L's sound to be customized for each installation. When extended bass and overall high-performance in-ceiling home theater are essential, the VM-815L is your solution.

Combine the VM-815L with any of our other VM version Visage models for seamless integration. Add your choice from the RBH SI family of subwoofers to complete your virtually invisible home theater for maximum effect.



VISAGE-SERIES
In-wall
In-ceiling
Architectural

- Magnetically attached paintable Stainless Steel grilles in White or Black, allow concealment and no worries about rust or discoloration.

- Available accessories NCB-8RL, and FB-C8 make installation easy. Please check website or contact your dealer for details.



*Lifetime Limited Warranty (with registration) from date of purchase to be free from defects and workmanship. For more information contact your RBH dealer or check our website.

It is RBH Sound policy to continuously incorporate improvements into products; all specifications are subject to change without notice. For the most current information visit us online at <https://rbhsound.com>. Copyright ©2023 RBH Sound. All Rights Reserved.

Model	VM-815L
SYSTEM TYPE	Architectural Loudspeaker
FREQUENCY RESPONSE	45Hz-20kHz ± 3dB
SENSITIVITY <small>(2.83V @ 1Meter)</small>	90dB
RECOMMENDED POWER	15-120 Watts
DRIVE UNITS	(1) Aluminum Dome Tweeter, (1) 8" Aluminum Woofer
TWEETER PROTECTION	Yes, self resetting poly-switch
CROSSOVER FREQUENCY	3000Hz
CROSSOVER SLOPE	12dB/Octave
IMPEDANCE	8Ω
CABINET/ COLOR	Borderless Magnetic Frame
GRILLE	White Stainless Steel (available in black)
WEIGHT	5.95 lbs (2.70kg)
FINISHED DIMENSIONS	11" Dia x 5-3/4" D (279 Dia x 146mm D) with grille
WARRANTY	*Lifetime Limited

RBH Sound • 382 Marshall Way, Ste A, Layton, Utah • USA • 84041
(801) 543-2200 • <https://rbhsound.com>