

S-12HPS

S series

rbh signature product



SEALED ALUMINUM 12" MICRO SUBWOOFER MASSIVE BASS OUTPUT SMALL SIZE



You've wanted a tiny sub with massive, deep output. This is it! Only slightly larger than the 12" driver, DSP controlled, 800 Watt sealed S-12HPS subwoofer takes small yet big to the next level.

Tight, musical, impactful bass is a reality thanks to the clever engineering at RBH. Available in satin black or white with your choice of black or gray grille. Easy to tuck away, impressive performance.

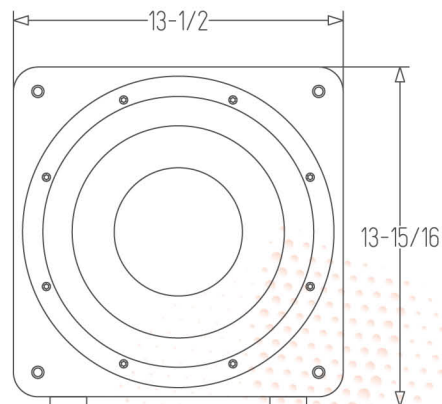
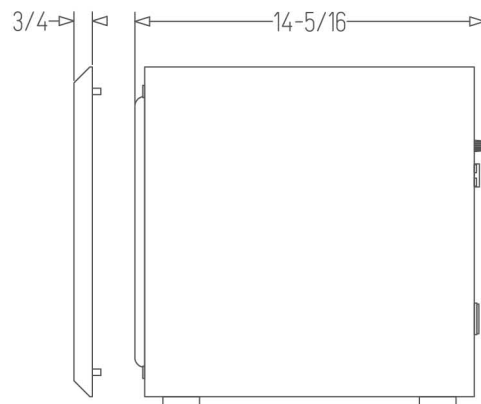
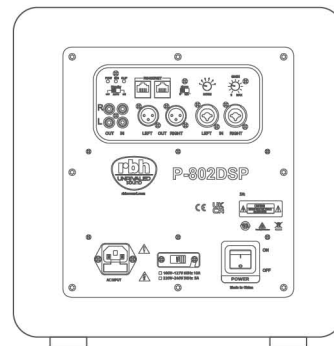
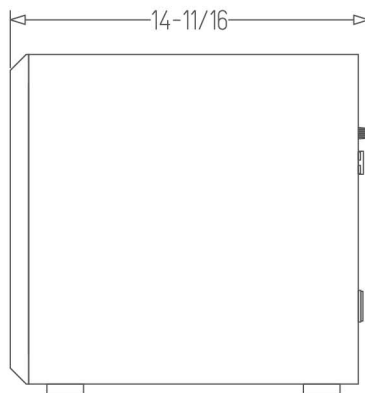


S-12HPS

Designed to reproduce tight and refined impact, the S-12HPS adds musically deep bass to any stereo or home theater system. The cabinet comes in satin black or white and features strong, internal bracing to provide a perfectly tuned enclosure for the high-power S-series 12" aluminum cone driver. This is a fantastic, solution for any music lover or movie enthusiast needing an ultra small sub with powerful output.

- **S-12HPS** includes a DSP controlled 800W amp for low distortion and tight powerful impact.

RBH Sound "S" series 12" proprietary damped aluminum drivers offer musically accurate sound. They provide deep, powerful, fast, detailed, room-filling bass that will rock the house without rocking the budget.



S-SERIES
Freestanding
Subwoofers
Powered/Passive

- Signature silver aluminum drivers
- Seamlessly integrates sound across all freestanding, bookshelf, on-wall and in-wall products in the SF, SV or SI-Series
- Cabinet made in USA of High Density Fiberboard (HDF)
- Comes standard with Phantom Black satin paint, white available upon special request.



*Limited Warranty 10 years cabinet and components, 3 years amp (with registration) from date of purchase to be free from defects and workmanship. For more information contact your RBH dealer or check our website.

It is RBH Sound policy to continuously incorporate improvements into products; all specifications are subject to change without notice. For the most current information visit us online at <https://rbhsound.com>. Copyright ©2023 RBH Sound. All Rights Reserved.

| Model | S-12HPS |
|----------------------------------|--|
| SYSTEM TYPE | Subwoofer |
| FREQUENCY RESPONSE | 29Hz-150Hz ± 3dB |
| SENSITIVITY (2.83V @ 1 Meter) | 88dB |
| AMPLIFIER POWER | 800 Watts |
| DRIVE UNITS | (1) 12" Aluminum Driver |
| PHASE CONTROL | 0°-180° (variable) |
| CROSSOVER FREQUENCY | 40Hz-150Hz (variable) |
| CROSSOVER SLOPE | 12dB/Octave |
| IMPEDANCE | 4Ω |
| CABINET / COLOR | Satin Black or White |
| GRILLE | High quality Black or White cloth |
| WEIGHT | 36 lbs (16.33 kg) |
| FINISHED DIMENSIONS | 13.5" W x 13-7/8" H x 14" D (343mm W x 352mm H x 356mm D) |
| WARRANTY | *Limited 10 years Sub and Components, 3 years Amp |

Designed, Engineered, Tested and Assembled in USA from American and imported parts

RBH Sound • 382 Marshall Way, Ste A, Layton, Utah • USA • 84041
(801) 543-2200 • <https://rbhsound.com>