

UNRIVALED 21-SF/R

SF series

rbh ultimate subwoofer

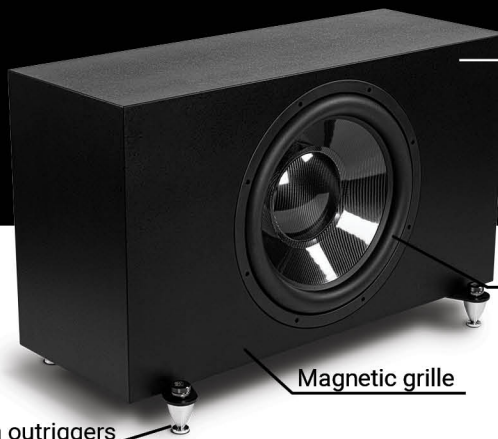


UNRIVALED



ULTIMATE 21 INCH SUBWOOFER

POWER, FINESSE, PRECISION, INFRASONIC



Internally braced
Heavy-Duty HDF cabinet

High-power capable
21in Carbon Fiber Woofer

Magnetic grille

Premium outriggers

You will be astounded at the depth and realism this powerhouse subwoofer will bring to your viewing and listening adventures in cinema and two-channel experiences. The RBH UNRIVALED 21-SF/R.

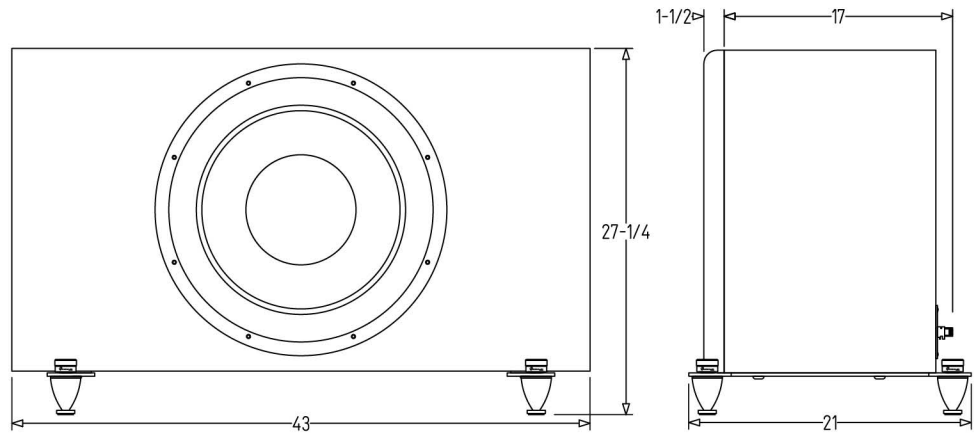
You crave real attitude in your music and particularly in your impactful movies. This subwoofer will provide it! It's a surprisingly useful size we think you'll be happy to find space for.



UNRIVALED 21-SF/R

21-inch Carbon Fiber cone motivated by a series of stacked Neodymium magnet cylinders in the motor structure all housed in a heavily braced HDF cabinet equal earth and soul shaking performance you have to hear and feel to comprehend. This is the RBH UNRIVALED 21-SF/R Subwoofer. Sonic impact, clarity and low-end extension at levels we have not attained from any of our solo-driver subwoofers during our long history, until now. You will experience cinema and your favorite music in a whole new way.

With a CEA 2010 rating of 94.3db at 10hz, the low distortion and high output will invigorate with any soundtrack you throw at it.



21-SF/R subwoofer
available with DSP Sub amp
2400W (DA-2602)

SF-SERIES

- Freestanding -
- Bookshelf -
- On-wall -

- Available in Textured Black with magnetically attached grille

- Individually hand assembled and tested. Cabinet made in USA of High Density Fiberboard (HDF)



*Limited Warranty 10 years cabinet and components (with registration) from date of purchase to be free from defects and workmanship. For more information contact your RBH dealer or check our website.

It is RBH Sound policy to continuously incorporate improvements into products; all specifications are subject to change without notice. For the most current information visit us online at <https://rbhsound.com>. Copyright ©2023 RBH Sound. All Rights Reserved.

MODEL NAME	UNRIVALED 21-SF/R	CEA 2010 Measurements (@2m Ground Plane)	
		Frequency	SPL
SYSTEM TYPE	Ultimate Freestanding Subwoofer System	10 Hz	94.3 dB
FREQUENCY RESPONSE	12Hz-80Hz (±3dB)	12.5 Hz	100.7 dB
POWER HANDLING	4000 Watts	14 Hz	103.8 dB
SPL OUTPUT	120dB	16 Hz	108.5 dB
RBH DSP SUB AMPLIFIER	4000 Watts (RBH DA-2602DSP in bridged mode)	20 Hz	115.3 dB
DRIVE UNITS	(1) 21" Carbon Fiber Cone, Stacked Neo-Mag Woofer	25 Hz	120.2 dB
CROSSOVER SLOPE	24dB/Octave	31.5 Hz	123.1 dB
IMPEDANCE	4Ω	40 Hz	122.5 dB
CABINET/ COLOR	HDF construction, Textured Black	50 Hz	121.7 dB
GRILLE	Black fabric, Magnetically Attached	63 Hz	121.4 dB
WEIGHT	333lbs (151.05kg)	80 Hz	121.7 dB
FINISHED DIMENSIONS	27 1/4" H x 21" D x 43" W	100 Hz	122.2 dB
WARRANTY	*Limited 10 years		

Designed, Engineered, Tested and Assembled in USA from American and imported parts

RBH Sound • 382 Marshall Way, Ste A, Layton, Utah • USA • 84041
(801) 543-2200 • <https://rbhsound.com>