

61/AX | 81/AX

# UNRIVALED series

**rbh** UNRIVALED Active



UNRIVALED



## 2-WAY DSP CONTROLLED ACTIVE SPEAKERS - MONITORS



Programmed DSP options

XLR Input  
\*with RCA adapter

Powercon &  
AC Link

You can enjoy the convenience and performance of RBH professional studio monitors at home too; the 61/AX and 81/AX can be both!

Ask about side panels to add style and a bit more sound damping or opt for a more formal studio look with smooth black satin finish. Powered by DSP amps for ultimate sound contour control.



# 61/AX 81/AX

The 61/AX is both a near-field full-range powered monitor for sound studio use and an awesome powered speaker for your home listening enjoyment. While the powered 81/AX is more suited for larger rooms it can be used in a bigger studio environment as well with impeccable results.

At the heart of these active monitors are RBH's Signature Series drivers: for bass and midrange, a 6.5-inch or 8-inch aluminum cone mid/woofer and an AMT (Air Motion Transformer) tweeter. This proprietary duo is powered by an RBH programmed state-of-the-art dual channel class D amplifier supplying 150 Watts to the tweeter and 250 to the woofer. The onboard DSP features Finite Impulse Response (FIR) filters to enhance phase correction of the speaker's response and also doubles as an active crossover network providing extreme flexibility and eliminates traditional, power-robbing passive components. Level and preset DSP selection controls and XLR balanced connections. A RCA to XLR converter is included.

- Available in black or silver & reference aluminum drivers

- Provides timbre matched options for multi-channel sound across all freestanding, bookshelf, on-wall and in-wall products in the SF, SV or SI-Series

- Cabinet made in USA of High Density Fiberboard (HDF)

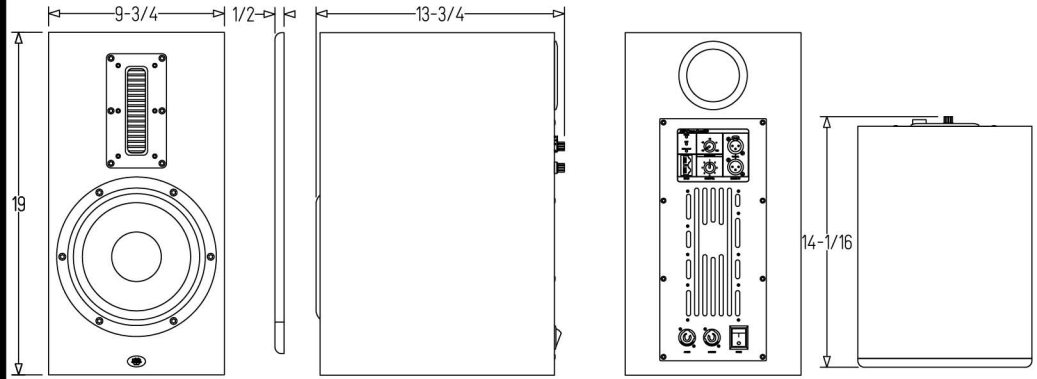
- Available in satin black or side



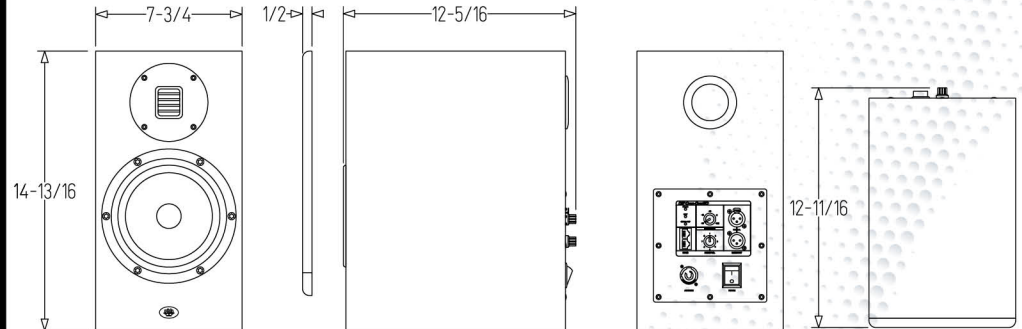
\*Limited 10 year speaker, 3 years amp warranty (with registration) from date of purchase to be free from defects and workmanship. For more information contact your RBH dealer or check our website.

It is RBH Sound policy to continuously incorporate improvements into products; all specifications are subject to change without notice. For the most current information visit us online at <https://rbhsound.com>. Copyright ©2023 RBH Sound. All Rights Reserved.

## 81/AX



## 61/AX



Model	61/AX
SYSTEM TYPE	DSP Powered Monitor
FREQUENCY RESPONSE	50Hz-40kHz (±1.5dB)
SUPPLIED POWER	150 Watts (Tweeter), 250 Watts (Woofer)
DRIVE UNITS	(1) 1.38"x1" AMT Tweeter (1) 6.5" Aluminum Cone Phase Plug Woofer
TWEETER PROTECTION	Yes
CROSSOVER FREQUENCY	2700Hz
CROSSOVER SLOPE	108dB/Octave
IMPEDANCE	8Ω
CABINET/ COLOR	HDF construction, Satin Black or White
GRILLE	Black or White Cloth Mag Attached
WEIGHT	25 lbs (11.34 kg)
FINISHED DIMENSIONS	7-3/4" W x 14-13/16" H x 12-1/4 D" (197mm x 376mm x 311mm)
WARRANTY	*Limited 10yr spkr, 3yr amp

Model	81/AX
SYSTEM TYPE	DSP Powered Monitor
FREQUENCY RESPONSE	35Hz-40kHz (±3dB)
SUPPLIED POWER	150 Watts (Tweeter), 250 Watts (Woofer)
DRIVE UNITS	(1) 4.72"x1" AMT Tweeter, (1) 8" Aluminum Cone Long Throw Woofer
TWEETER PROTECTION	Yes
CROSSOVER FREQUENCY	2300Hz
CROSSOVER SLOPE	48dB/Octave
IMPEDANCE	8Ω
CABINET/ COLOR	HDF construction, Satin Black or White
GRILLE	Black or White Cloth Mag Attached
WEIGHT	33.85 lbs (15.35 kg)
FINISHED DIMENSIONS	9-3/4" W x 19" H x 14-1/4 D" (248mm x 483mm x 362mm)
WARRANTY	*Limited 10yr spkr, 3yr amp

Designed, Engineered, Assembled and Tested in our USA facility

RBH Sound • 382 Marshall Way, Ste A, Layton, Utah • USA • 84041  
(801) 543-2200 • <https://rbhsound.com>