

UNRIVALED 221-SF/R

SF series

rbh ultimate subwoofer



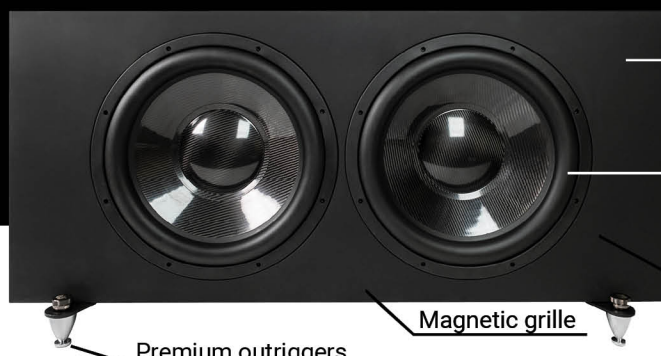
UNRIVALED

SEISMIC DUAL 21 INCH SUBWOOFER!

PENETRATING-VISCERAL-POWERFUL

You will be blown-away by the raw power and realism this subwoofer will produce. Your viewing and listening experience will be elevated to a whole new level. The RBH UNRIVALED 221-SF/R.

Powered by single or dual DA-2602DSP amplifiers, delivering up to 4000 watts each, will deliver a performance that is felt and heard. This is what the RBH UNRIVALED experience is all about!



Internally braced
Heavy-Duty HDF cabinet

High-power capable dual
21in Carbon Fiber Woofers

GADS™ Inside

Magnetic grille

Premium outriggers



UNRIVALED

221-SF/R

DUAL 21-inch Carbon Fiber cone Woofer Drivers! Cylindrical stacks of Neodymium magnets at the heart of the motor structure. Heavily braced locally USA made HDF cabinet and steel outriggers. Our patent-pending Granular Acoustic Damping System (GADS™). That's what it takes to harness and control the power of the RBH UNRIVALED 221-SF/R Subwoofer. The result of mating it to our calibrated 4000watt output DA-2602DSP amplifier is a visceral, seismic, impactful experience that will shake you to your core. Powerful clarity and low-end extension at levels we have not attained from any of our subwoofers during our long history, until now. You will experience cinema and your favorite music as never before.

With a CEA 2010 rating of 96.2dB at 10 Hz, the low distortion and high output will astonish with any source media you throw at it.

- SF-SERIES**

 - Freestanding -
 - Bookshelf -
 - On-wall -

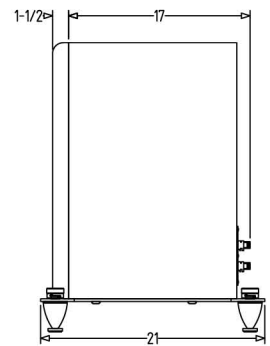
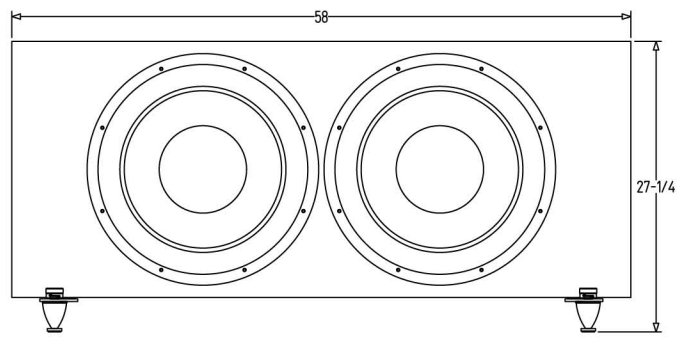
- Available in Textured Black with magnetically attached grille

- Individually hand assembled and tested. Cabinet made in USA of High Density Fiberboard (HDF)

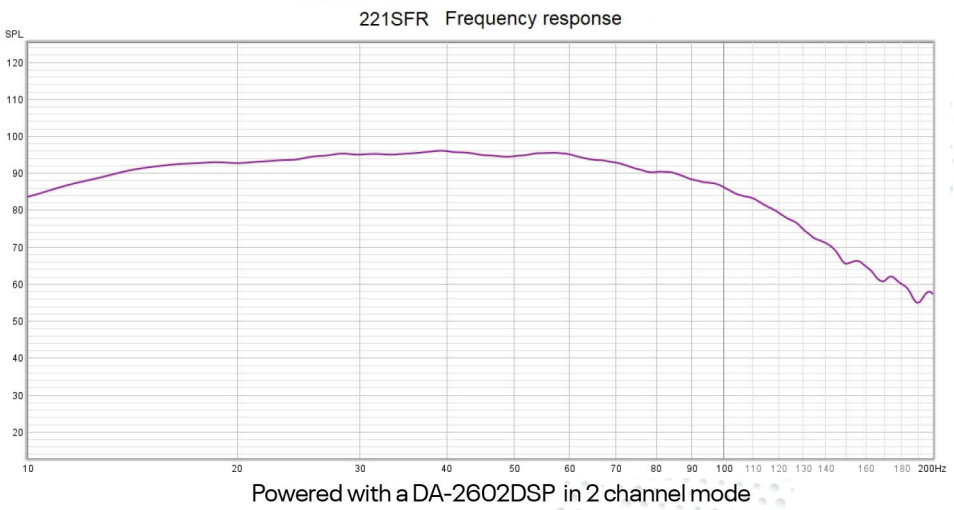


*Limited Warranty 10 years cabinet and components (with registration) from date of purchase to be free from defects and workmanship. For more information contact your RBH dealer or check our website.

It is RBH Sound policy to continuously incorporate improvements into products; all specifications are subject to change without notice. For the most current information visit us online at <https://rbhsound.com>. Copyright ©2023 RBH Sound. All Rights Reserved.



221-SF/R subwoofer
includes calibrated RBH DA-2602DSP single or dual amps (4000W each)



MODEL NAME	UNRIVALED 221-SF/R	CEA 2010 Measurements (@2m Ground Plane)	
		Frequency	SPL
SYSTEM TYPE	Ultimate Freestanding Subwoofer System	10 Hz	96.2 dB
FREQUENCY RESPONSE	12Hz-80Hz (±3dB) (anechoic response)	12.5 Hz	103.8 dB
POWER HANDLING	4000 Watts + 4000 Watts	16 Hz	111.5 dB
SPL OUTPUT	127.9 dB	20 Hz	112.8 dB
RBH DSP SUB AMPLIFIER	2200 Watts/ch (RBH DA-2602DSP in 2-channel mode) or 4000 Watts x2 with two amplifiers in Bridged Mono	25 Hz	121.9dB
DRIVE UNITS	(2) 21" Carbon Fiber Cone, Stacked Neo-Mag Woofers	31.5 Hz	126.1dB
CROSSOVER SLOPE	24dB/Octave	40 Hz	127.9 dB
IMPEDANCE	4Ω + 4Ω	50 Hz	125.6 dB
CABINET/ COLOR	Double layer HDF construction, Satin Black or Satin White	63 Hz	124.6 dB
GRILLE	Black fabric, Magnetically Attached	80 Hz	124 dB
WEIGHT	505lbs (229.1kg)		
FINISHED DIMENSIONS	27 1/4 H x 21" D x 58" W		
WARRANTY	*Limited 10 years		

Designed, Engineered, Tested and Assembled in USA from American and imported parts

RBH Sound • 382 Marshall Way, Ste A, Layton, Utah • USA • 84041
(801) 543-2200 • <https://rbhsound.com>