

SI-815/R | SI-815/RL

SI series

rbh signature product

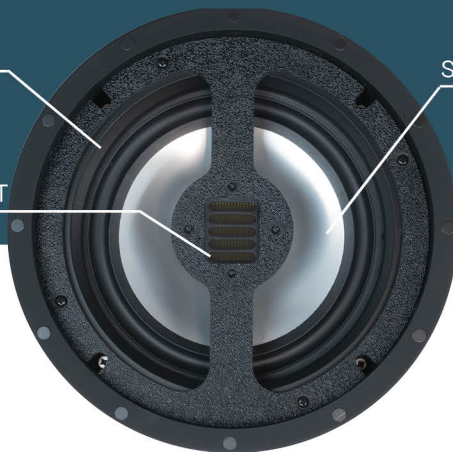


REFERENCE IN-CEILING SPEAKER HIGH QUALITY - QUICK INSTALLATION

Simple install

Reference AMT
Tweeter

Signature Aluminum Driver



Your project requires a high performance/high output speaker to keep up with larger RBH speakers. The SI-815/R or SI-815/RL is the answer.

Finally a no compromise solution for high quality in the ceiling. Same components as our cabinet speakers, perfect sonic matching!



SI-815/R SI-815/RL

When only the best will do but you need higher output. Our Signature Series SI-815/R in-ceiling speaker features an 8-inch aluminum cone woofer and a reference grade AMT tweeter delivering outstanding performance on par with our cabinet models. Stereo listening, home theater, whole house. The SI-815/R does it all with the power and finesse you expect and love from RBH Sound.

SI-SERIES IN-WALL Speaker

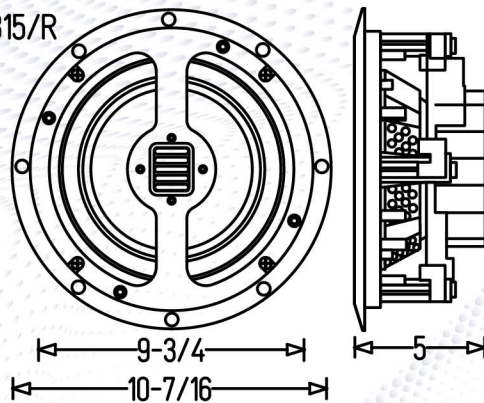
- Proprietary aluminum driver is same spec's as in our cabinet models for seamless voicing
- Tweeter protection circuitry is incorporated to prevent driver damage if over driven
- Swing out dog-leg mounting system for fast, easy installation
- Computer optimized high-quality crossover network
- Micro Perforated paintable magnetically attached white Stainless Steel grille



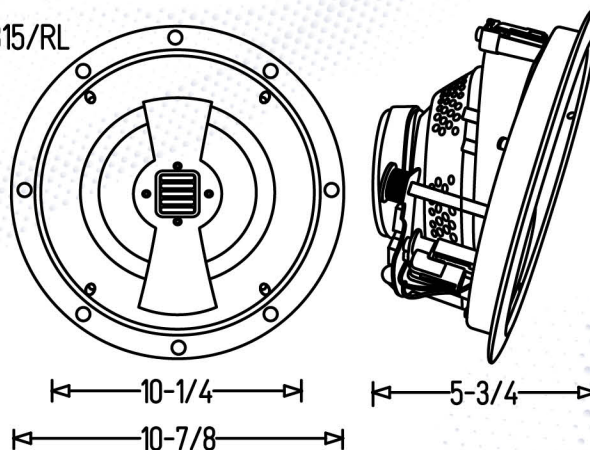
*Limited 10 Year Warranted, with registration, from date of purchase to be free from defects and workmanship. For more information contact your RBH dealer or check our website.

It is RBH Sound policy to continuously incorporate improvements into products; all specifications are subject to change without notice. For the most current information visit us online at <https://rbhsound.com>. Copyright ©2023 RBH Sound. All Rights Reserved.

SI-815/R



SI-815/RL



| MODEL NAME: | SI-815/R | SI-815/RL |
|----------------------|--|--|
| SYSTEM TYPE: | In-Ceiling 2-way Speaker | In-Ceiling 2-way Speaker |
| SERIES: | Signature Series Reference In-wall / ceiling Speaker | Signature Series Reference In-wall / ceiling Speaker |
| FREQUENCY RESPONSE: | 45Hz-40kHz (±3dB) | 45Hz-40kHz (±3dB) |
| SENSITIVITY: | 91dB (2.83 Volts @ 1 Meter) | 91dB (2.83 Volts @ 1 Meter) |
| RECOMMENDED POWER: | 50-200 Watts | 50-200 Watts |
| DRIVE UNITS: | (1) 8" (200mm) Aluminum Cone (1) 1.38"x1" AMT Tweeter | (1) 8" (200mm) Aluminum Cone (1) 1.38"x1" AMT Tweeter |
| TWEETER PROTECTION: | Yes | Yes |
| CROSSOVER FREQUENCY: | 2700Hz | 2700Hz |
| CROSSOVER SLOPE: | 18dB/Octave | 18dB/Octave |
| IMPEDANCE: | 8 Ohms | 8 Ohms |
| CABINET: | Black frame ABS | Black frame ABS |
| GRILLE: | Magnetically attached S-Steel (White) | Magnetically attached S-Steel (White) |
| BAFFLE DIMENSIONS: | N/A | N/A |
| FINISHED DIMENSIONS: | 10-5/8" Dia x 5-1/8" D (270mm x 130mm) | 11" Dia x 5-3/4" D (279mm x 146mm) |
| WEIGHT: | 6.4 lbs. (2.9kg) | 6.45 lbs. (2.93kg) |
| WARRANTY: | 10 year Limited* | 10 year Limited* |